



# IR852T

Taxiway and Apron edge  
High intensity  
lighting solutions

## Compliant to Latest International Standards\*

- ▶ ICAO Annex 14. Vol 1
- ▶ FAA AC 150/5345-46
- ▶ FAA Engineering Brief No.67
- ▶ IEC 61827
- ▶ EASA
- ▶ Stannag 3316 (NATO)

---

## Applications

CAT II/III all weather operation airfield ground  
lighting (agl) systems.

---

\* As applicable to the application, compliance with other civil aviation and  
military regulations confirmed on request

† Electrical/Mechanical/Environmental characteristics only

# IR852T

LED Inset Taxiway and Apron edge  
High intensity lighting solutions



## Electrical Performance

Main Beam Aperture		Colour	Typical Power Consumption - Watts (VA) @ 6.6A					
Horiz(°)	Vert(°)		Per Beam Watts nominal	Watts (VA)	Fitting* PF	Tx Primary** Watts (VA)	PF	
0-359	0-6	Blue	0.75	4.71(4.74)	0.993	12.87(13.01)	0.991	10W
0-359	0-6	Blue	0.75	4.67(4.70)	0.993	13.76(14.09)	0.977	25W
0-359	0-6	Blue	0.75	4.64(4.66)	0.994	16.23(17.16)	0.948	45W

Fixture Operational Current Range: 2.8 to 6.7A RMS

\* as measured at the input leads of the fixture.

\*\* as measured across the primary winding of an appropriately sized isolation transformer with a total fixture and transformer secondary length not exceeding - 1.85m (72").

\*\*\* electrical characteristics measured with 45 watt transformer, fitting can operate from transformers up to 210 watts.

Note: Isolating transformer shall be suitably sized to accommodate specific secondary and other applicable losses.

## Photometry

### Specification

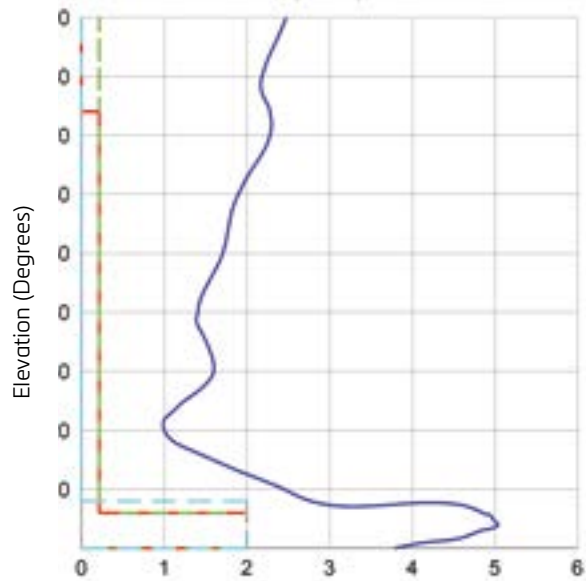
Taxiway & Apron Edge omni-directional ICAO - 5.3.18.7/8 FAA L-852T

Colour	Blue
Main rect. minimum intensity 0°-6°	2 cd
Second rect. minimum intensity 6°-90°	0.2 cd

### Typical Measured Values

Colour	Blue
Main rect. minimum intensity 0°-6°	3.0 cd
Main rect. minimum intensity 0°-8° (Stannag)	2.9 cd
Second rect. minimum intensity 6°-90°	1.0 cd

Photometry vs. Specification



— IR852T(L) Performance @ 6.6A

### Specification

- - ICAO Annex 14, EASA, CAP 168, FAA-46E, MADS 38(b)
- - IEC61827
- - Stannag 3316

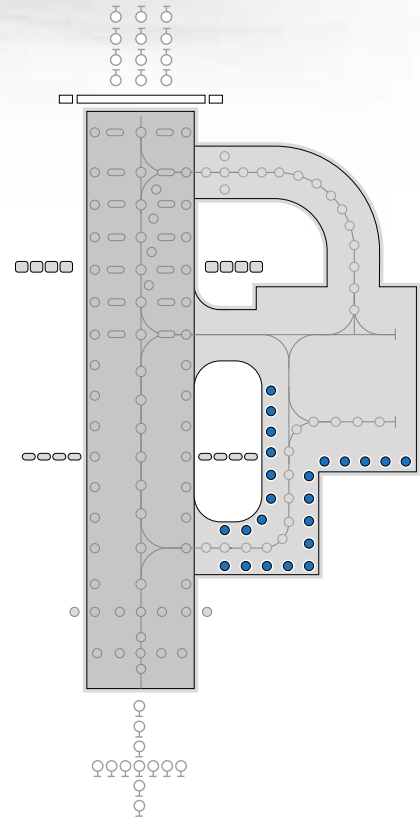
# IR852T

LED Inset Taxiway and Apron edge  
High intensity lighting solutions



## Features

- Low energy consumption compared with the tungsten halogen equivalent.
- Greatly reduced maintenance: calculated MTBF of 75,000 hours at 6.6A.
- Operates on the full range of 2.8A to 6.6A on either 3 or 5 step IGBT, ferroresonant or thyristor CCRs that are designed in compliance with IEC or FAA requirements.
- Fully dimmable lights, replicating the response curve of traditional halogen lights.
- Full compatibility with existing airfield lighting series circuits. Installation on same mounting device as most conventional lights, for a straightforward replacement.
- Low operating temperature, ensuring longer component life.
- L-823 connectors
- Integral surge protection



## Environmental Conditions

- ▶ Ambient Temperature -55 °C to +55°C (-67 °F to +131°F)
- ▶ Storage Temperature -55°C to +70°C (-67 °F to +158°F)
- ▶ Atmospheric Altitude up to 10,000 feet ( 3000m)
- ▶ Relative Humidity 0-100% (sealed unit)

Standards	
EMC protection	Immunity IEC 61000-4 Emission IEC 61000-2
Ingress protection class dust/liquids	IP67 (IEC69598-1)
Vibration resistance	IEC60068-2-6

UK: +44 (0) 1942 68 5555 | USA: +1 (239) 985-9406

L-852T(L)

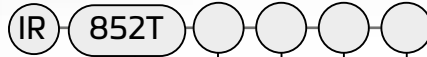
www.atgairports.com | enquiries@atgairports.com | sales-usa@atgairports.com

# IR852T

LED Inset Taxiway and Apron edge  
High intensity lighting solutions



Ordering Codes:



**Application**  
L-852T(L) Taxiway & Apron Edge  
omni-directional

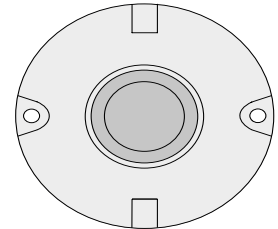
**Beam Type**  
1 = Omni directional (360°)

**Colour**  
B = Blue

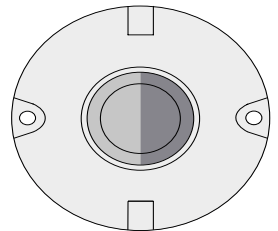
**Optional Shield**  
1 = 180° Shield  
0 = No Shield

**Specification**  
1 = FAA  
2 = ICAO  
3 = MOS 139

## Beam Options



IR852T(L)  
Omni Directional 360°



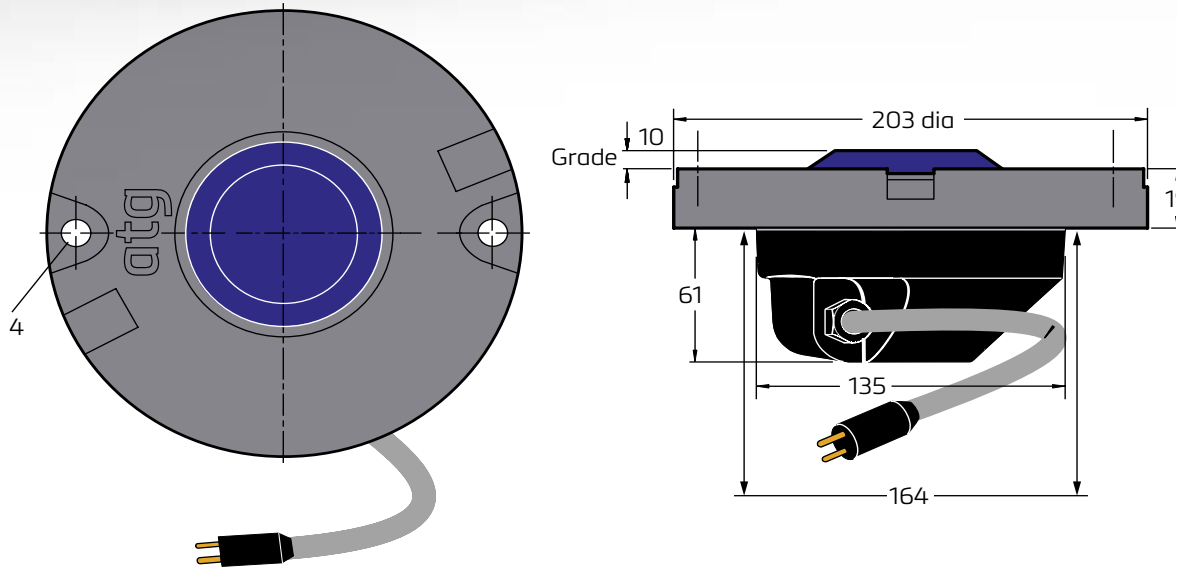
IR852T(L)  
Omni Directional with 180° Shield

Additional optional features may be available upon request

# IR852T

LED Inset Taxiway and Apron edge  
High intensity lighting solutions

## Dimensions



## Packaging

- ▶ Net weight 3kg
- ▶ Gross weight 3.5kg
- ▶ Box 230mm(w) x 230mm(d) x 146mm(h)

weights and dimensions are nominal



**Head Office:**

**atg airports ltd**

Lowton Business Park | Newton Road

Lowton St. Mary's | Warrington

WA3 2AP | United Kingdom

atg airports reserve the right to change technical data and details at any point in time. Errors may have occurred



UK: +44 (0) 1942 68 5555 | USA: +1 (239) 985-9406

[www.atgairports.com](http://www.atgairports.com) | [enquiries@atgairports.com](mailto:enquiries@atgairports.com) | [sales-usa@atgairports.com](mailto:sales-usa@atgairports.com)

L-852T(L)