

Tungsten halogen

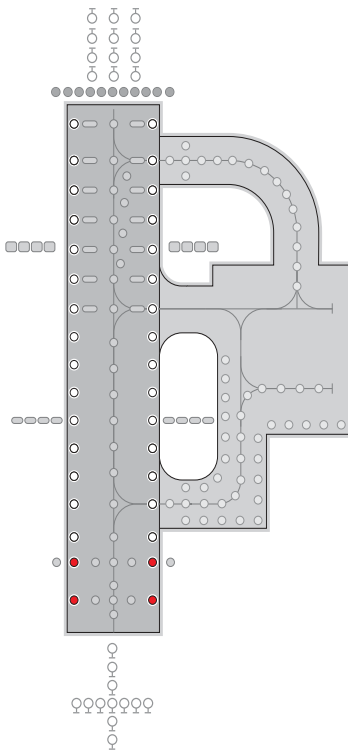


ZA969

Bi-directional runway edge
medium intensity lighting
solutions

Applications

Medium Intensity
airfield ground lighting
(agl) systems



Compliant with Latest International Standards*

- ▶ CASA MOS Part 139
- ▶ ICAO Annex 14. Vol 1†
- ▶ FAA AC 150/5345-46†
- ▶ FAA Engineering Brief No. 67†
- ▶ IEC 61827†
- ▶ EASA†
- ▶ Stannag 3316 (NATO)†

* As applicable to the application, compliance with other civil aviation and military regulations confirmed on request

† Electrical/Mechanical/Environmental characteristics only

UK: +44 (0) 1942 68 5555 | USA: 001 (239) 985-9406

ZA969

Electrical Performance

30 watts lamps, operates from 45 watt series transformer

Fixture Operational Current Range: 2.6 to 6.7A RMS

Notes: Isolating transformer shall be suitably sized to accommodate specific secondary and other applicable losses.

Environmental Conditions

- ▶ Ambient Temperature -55 °C to +55°C (-67 °F to +131°F)
- ▶ Storage Temperature -55°C to +55°C (-67 °F to +131°F)
- ▶ Ingress Protection > IP67

Photometry

Specification

Medium Intensity runway edge MOS Part 139 - Para. 9.63 Fig 9.75(2)

Colour	White
Max/Min Intensity ratio	<3.0
Main rect. average intensity	200-600 cds
Main rect. minimum intensity	100-300 cds
Second rect. minimum intensity	50 cds

Typical Measured Values

Colour	White
Max/Min Intensity ratio	2.44
Main rect. average intensity	221 cds
Main rect. maximum intensity (A)	280cds
Main rect. minimum intensity (B)	115 cds
Second rect. minimum intensity	78 cds

Specification

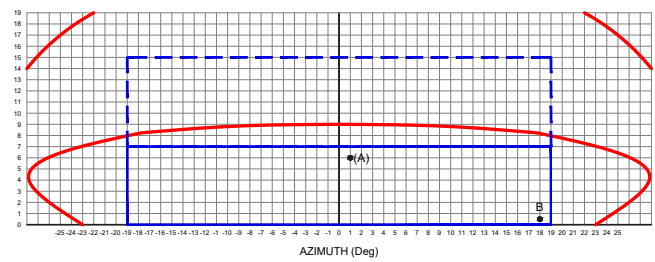
Medium Intensity runway edge MOS Part 139 - Para. 9.63 Fig 9.75(2)

Colour	Red
Max/Min Intensity ratio	<3.0
Main rect. average intensity	50 -300 cds
Main rect. minimum intensity	25 - 150 cds
Second rect. minimum intensity	5 cds

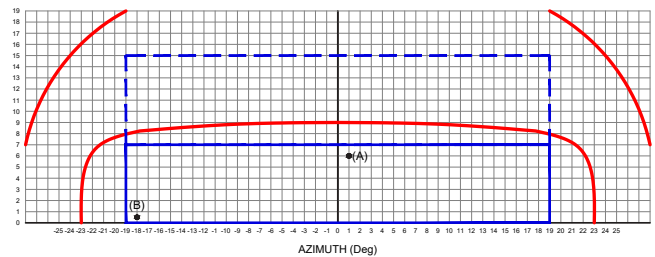
Typical Measured Values

Colour	Red
Max/Min Intensity ratio	2.45
Main rect. average intensity	121 cds
Main rect. maximum intensity (A)	142 cds
Main rect. minimum intensity (B)	58 cds
Second rect. minimum intensity	13 cds

Intensity Chart - ZA969 Bi-Directional Medium Intensity runway edge (white)



Intensity Chart - ZA969 Bi-Directional Medium Intensity runway edge (red)

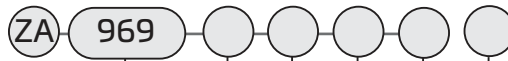


ZA969

Bi-directional runway edge
medium intensity lighting solutions



Ordering Codes



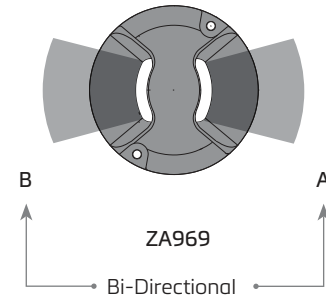
Application
Medium intensity bi-directional
runway edge

Beam Type
A Side
5 = Wide
.....
B Side
5 = wide

Colour
A Side
C = White
R = Red
.....
B Side
C = White
R = Red

Specification
3 = MOS139

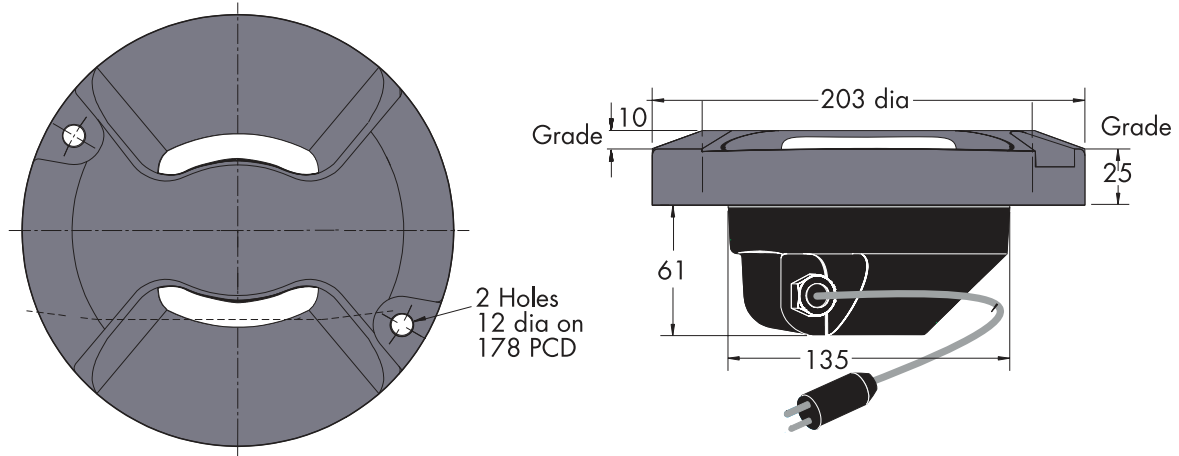
Beam Options



ZA969

Bi-directional runway edge
medium intensity lighting solutions

Dimensions



Packaging

▶ Net weight 3.12Kg ▶ Gross weight 3.52Kg (boxed) ▶ Box 260mm (L) x 260mm (W) x 175mm (H)

*Dimensions are nominal



Head Office:
atg airports ltd
Lowton Business Park | Newton Road
Lowton St. Mary's | Warrington
WA3 2AP | United Kingdom

atg airports reserve the right to change technical data and details at any point in time. Errors may have occurred

**THINK
BEFORE YOU
PRINT**



UK: +44 (0) 1942 68 5555 | USA: 001 (239) 985-9406

www.atgairports.com enquiries@atgairports.com sales-usa@atgairports.com

ZA969