

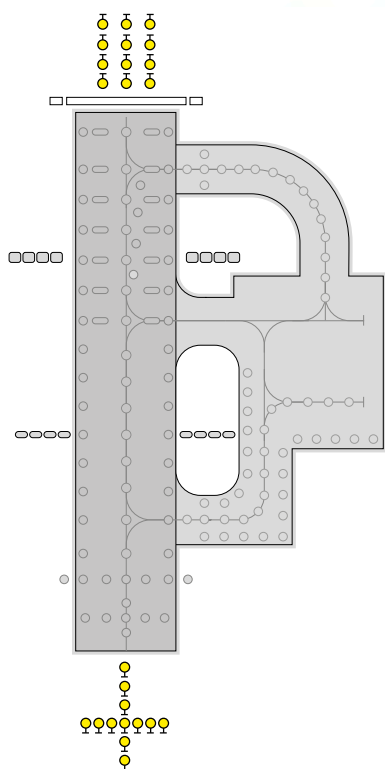
Tungsten halogen technology



# ZA420

Approach & siderow  
barrette

High intensity, uni directional  
elevated light



## Features

- ▶ Lightweight yet robust due to its aluminium alloy 'double skinned' construction
- ▶ No external colour filters required
- ▶ Smooth outer glass surface resists build up of dirt and is easy to clean
- ▶ Pre-focused optics simplify maintenance procedures
- ▶ Lamp replacement effected without requiring any tools
- ▶ Low windage area
- ▶ Choice of 'gimble' mounting methods - M32 stem, M25 stem or 50/60mm O/D coupling for approach pole structures
- ▶ Light head replacement effected without any resighting required
- ▶ Powder coat paint finish in golden yellow. All fasteners are stainless steel
- ▶ IMM available on request

## Compliance with standards

- ▶ FAA E-982 and L-862S, AC150/5345-46
- ▶ ICAO Annex 14
- ▶ CAA CAP168
- ▶ NATO STANAG 3316
- ▶ BS3224 Part 4, elevated fittings

## Application

High intensity, uni-directional, elevated runway approach and siderow barrette lights suitable for use in all weather operation installations up to ICAO category III systems.

## Options

- ▶ ZS022 sighting device
- ▶ Pk 30d halogen lamps
  - ▶ J1/80 100W 6.6A - runway end
  - ▶ J1/83 150W 6.6A - approach & threshold
  - ▶ J1/84 200W 6.6A - siderow & threshold wingbar

UK: +44 (0) 1942 68 5555 | USA: 001 (239) 985-9406

www.atgairports.com | products@atgairports.com | sales-usa@atgairports.com

ZA420

## Electrical supply

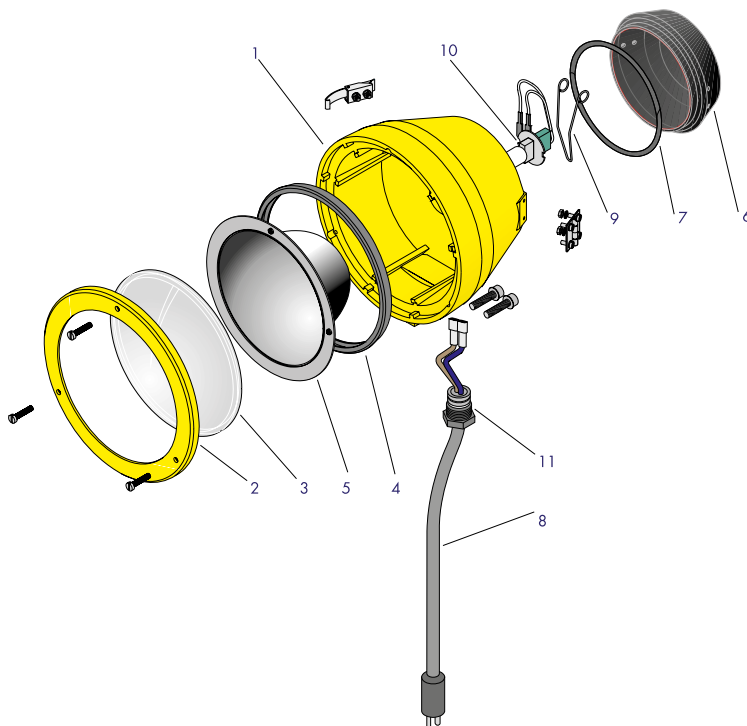
Suitable for use in 6.6A airfield lighting circuits, normally supplied from one 100W, 150W or 200W series circuit isolating transformer. Power consumption is 100W, 150W or 200W depending upon application.

## Packaging data (head only)

Net weight	1.8kg
Gross weight	2.4kg
Carton size	225mm(w) x 225(d) x 260mm(h)

## Components

1	Body casting (golden yellow)	Not saleable
2	Rim	SLC40122
3	Clear spreader	SLC16074
	or red	SLC19170
	or green	SLC19171
4	Reflector edge seal	SLC33078
5	Reflector - clear	SLC28049
	or reflector	
	red/green	SLC28050
6	Rear cover	SLC40121
7	Rear cover seal	SLC33079
8	300mm 'B' type plug lead	SLC13001
9	Lamp spring	SLC32056
10	J1/80 100W 6.6A Pk30d lamp	SLC08057
	or J1/83 150W	SLC08056
	or J1/84 200W	SLC08069
11	Cable gland assembly	SLC21114/5/6



UK: +44 (0) 1942 68 5555 | USA: 001 (239) 985-9406

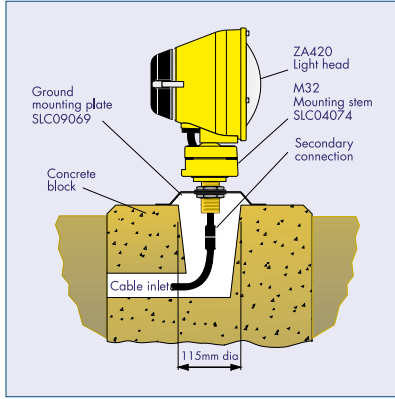
[www.atgairports.com](http://www.atgairports.com) [products@atgairports.com](mailto:products@atgairports.com) [sales-usa@atgairports.com](mailto:sales-usa@atgairports.com)

ZA420

# Typical installation methods

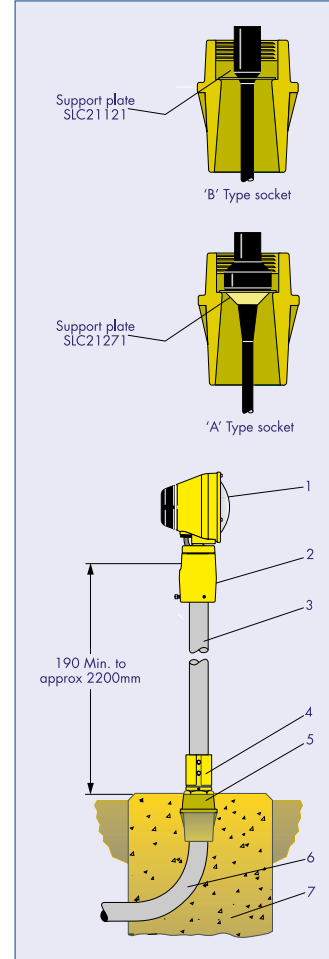
- On a 204mm (8") dia. ground mounting plate (ZM120/1)
- On a short approach pole up to 2.2m long
- On an FAA L867 type base can
- On a ground mounting spike
- On a FAA type frangible coupling
- Other installation methods available on request

ZA420 installed on 204mm (8") ground mounting plate

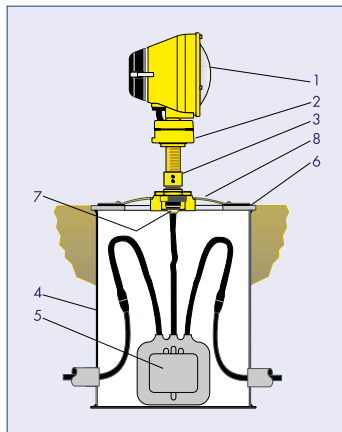


**Note** The ground mounting plate is designed to be held down by means of three 10mm (3/8") rag bolts grouted into the concrete block on 178mm PCD.

ZA420 installed on a short approach pole up to 2.2m long



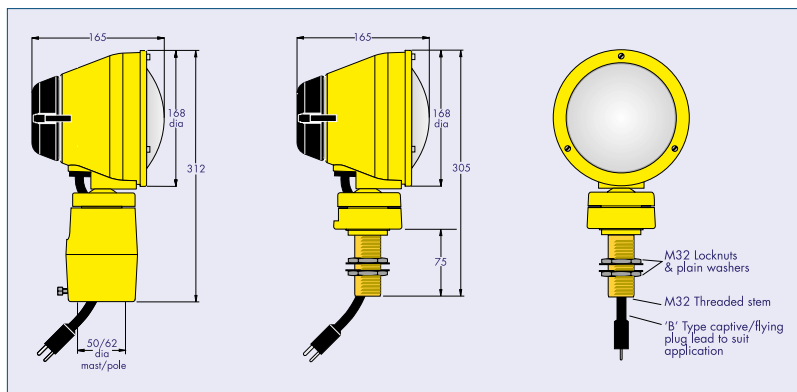
ZA420 installed on a FAA L867 base can



- |                       |                            |
|-----------------------|----------------------------|
| 1. ZA420 Light head   | 5. Isolating transformer   |
| 2. M32 Mounting Stem  | 6. Gasket                  |
| 3. Frangible coupling | 7. Support Plate           |
| 4. FAA Type L867 base | 8. FAA Type L867 baseplate |

Alternative support arrangements for 'A' or 'B' type socket lead mounted in a wells coupling.

- |                                                              |                                     |
|--------------------------------------------------------------|-------------------------------------|
| 1. ZA420 Light head                                          | 4. Frangible coupling               |
| 2. Pole coupling                                             | 5. Wells coupling                   |
| 3. Aluminium tube 50.8mm dia<br>O/D 10SWG length as required | 6. 50mm dia pipe (plastic or metal) |
|                                                              | 7. Concrete block                   |



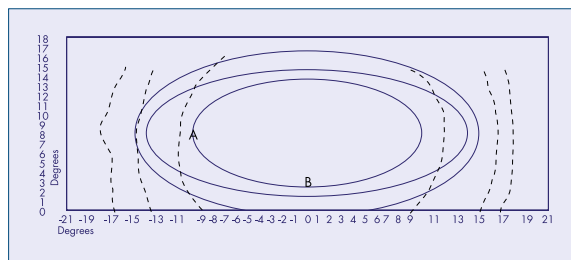
**Note** The ground mounting plate is designed to be held down by means of three 10mm (3/8") rag bolts grouted into the concrete block on 178mm PCD.

# Photometric performance

## Approach Centre Line:

White	ZA420
Main Ellipse Intensity Measurements (Candelas)	
Average	21530
Min. Average	20000
Max (B)	33340
Min (A)	12210

Nominal Lamp Details	
Power	150 Watts
Current	6.6 Amps
Type	J1/83
ICAO	CAP168
Annex 14	FIG 6A.1
FIG 2.1	



**atg airports ltd**  
 Lowton Business Park | Newton Road  
 Lowton St. Mary's | Warrington  
 WA3 2AP | United Kingdom

**atg airports inc**  
 7857 Drew Circle #11  
 Fort Myers | Florida 33967  
 USA



📞 UK: +44 (0) 1942 68 5555 | USA: 001 (239) 985-9406

🌐 [www.atgairports.com](http://www.atgairports.com) ✉ [products@atgairports.com](mailto:products@atgairports.com) ✉ [sales-usa@atgairports.com](mailto:sales-usa@atgairports.com)

**ZA420**