

LED technology



# IR962CB

LED elevated intermediate holding position, Medium intensity lighting solutions

## Applications

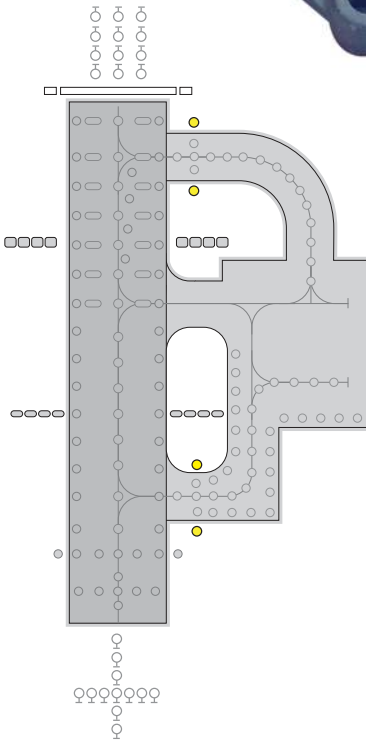
Medium Intensity airfield ground lighting (agl) systems

## Compliant with Latest International Standards\*

- ▶ CASA MOS Part 139
- ▶ ICAO Annex 14. Vol 1†
- ▶ FAA AC 150/5345-46†
- ▶ FAA Engineering Brief No. 67†
- ▶ IEC 61827†
- ▶ EASA†
- ▶ Stannag 3316 (NATO)†

\* As applicable to the application, compliance with other civil aviation and military regulations confirmed on request

† Electrical/Mechanical/Environmental characteristics only



# IR962CB

LED elevated intermediate holding position,  
Medium intensity lighting solutions



## Electrical Performance

Main Beam Aperture		Colour	Typical Power Consumption - Watts (VA) @ 6.6A					Isolating Transformer
Horiz(°)	Vert(°)		Per Beam Watts	Fitting* Watts (VA)	PF	Tx Primary** Watts (VA)	PF	
0 - 359	0 - 6	Yellow	0.75	4.71 (4.74)	0.993	12.87 (13.01)	0.991	10W

Fixture Operational Current Range: 2.7 to 6.7A RMS

Notes: Isolating transformer shall be suitably sized to accommodate specific secondary and other applicable losses.

\* as measured at the input leads of the fixture.

\*\* as measured across the primary winding of an appropriately sized isolation transformer with a total fixture and transformer secondary length not exceeding - 1.85m (72"). CCR shall be suitably sized for the indicated transformer VA for the relevant isolating transformer utilised.

## Environmental Conditions

- ▶ Ambient Temperature -55 °C to +55°C (-67 °F to +131°F)
- ▶ Storage Temperature -55°C to +55°C (-67 °F to +131°F)

▶ Ingress Protection > IP24

### Photometry

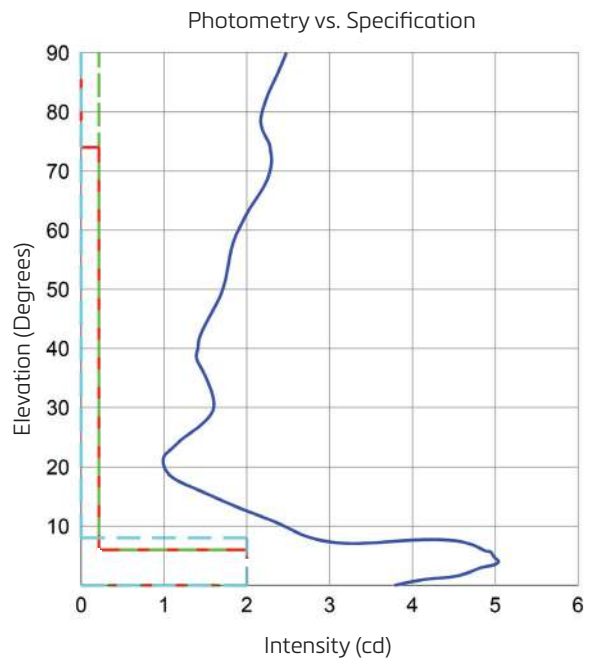
#### Specification

Intermediate holding position MOS 9.104

Colour	Yellow
Main rect. minimum intensity 0°-6°	2 cd
Second rect. minimum intensity 6°-90°	0.2 cd

#### Typical Measured Values

Colour	Yellow
Main rect. minimum intensity 0°-6°	3.0 cd
Main rect. minimum intensity 0°-8° (Stannag)	2.6 cd
Second rect. minimum intensity 6°-90°	1.0 cd



— IR962CB (L) Performance @ 6.6A

#### Specification

— ICAO Annex 14, EASA, MOS 139, FAA-46D

— IEC61827

— Stannag 3316

UK: +44 (0) 1942 68 5555 | USA: 001 (239) 985-9406

www.atgairports.com enquiries@atgairports.com sales-usa@atgairports.com

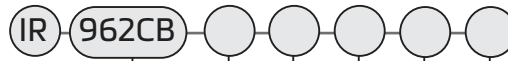
LED AGL  
IR962CB

# IR962CB

LED elevated intermediate holding position,  
Medium intensity lighting solutions



## Ordering Codes



**Application**  
L-962CB(L) Taxiway Edge

**Beam Type**  
7 = Omni directional (360°)

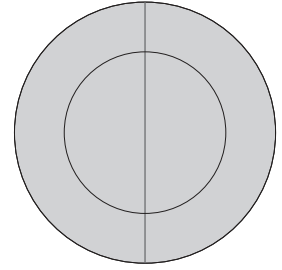
**Colour**  
Y = Yellow

**Specification**  
3 = MOS 139

**Connections**  
1 = 1 x Bi-pin plug

**Mounting**  
0 = No Stem or Frangible Coupling  
1 = Frangible M32 (1 1/4")  
Threaded Mounting Stem  
H \* = 356mm (14")  
2 = 32mm (1 1/4") Solid Stem  
with 50.8mm (2") Frangible  
Coupling, 11.5 TPI  
H \* = 356mm (14")\*\*

## Beam Options



IR962CB(L)  
Omni Directional

UK: +44 (0) 1942 68 5555 | USA: 001 (239) 985-9406

[www.atgairports.com](http://www.atgairports.com) [enquiries@atgairports.com](mailto:enquiries@atgairports.com) [sales-usa@atgairports.com](mailto:sales-usa@atgairports.com)

LED AGL  
IR962CB

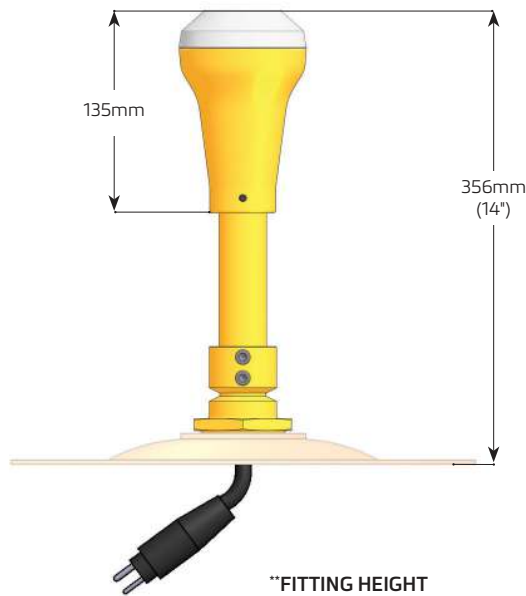
# IR962CB

LED elevated intermediate holding position,  
Medium intensity lighting solutions



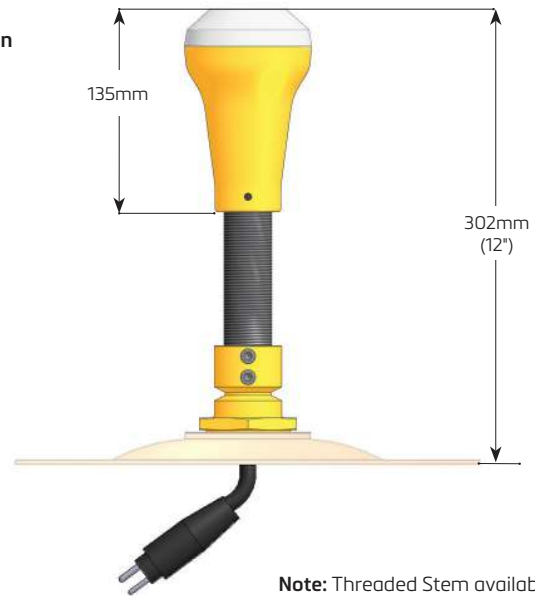
## Dimensions

Standard Configuration



**Typical Installation Details**  
Mounting plates  
sold separately

Frangible Threaded Stem Option



**\*\*FITTING HEIGHT**

356mm (14") standard fitting height. Extendable from 356mm (14") in increments of 50.8mm (2") to a maximum 762mm (30") for FAA applications in snow areas. Dimensions based on L867 Base Mounting Plate.

**Note:** Threaded Stem available for direct mounting into Spun Ground Mounting Plate or Mounting Spike. Only available in 302mm (12") fitting height.

## Packaging

- ▶ Net weight 0.86kg
- ▶ Gross weight 1.0kg (boxed)
- ▶ Box 360mm (L) x 120mm (W) x 120mm (H)



**Head Office:**  
**atg airports ltd**  
Lowton Business Park | Newton Road  
Lowton St. Mary's | Warrington  
WA3 2AP | United Kingdom

**THINK  
BEFORE YOU  
PRINT**



atg airports reserve the right to change technical data and details at any point in time. Errors may have occurred

UK: +44 (0) 1942 68 5555 | USA: 001 (239) 985-9406

LED AGL  
**IR962CB**

www.atgairports.com enquiries@atgairports.com sales-usa@atgairports.com