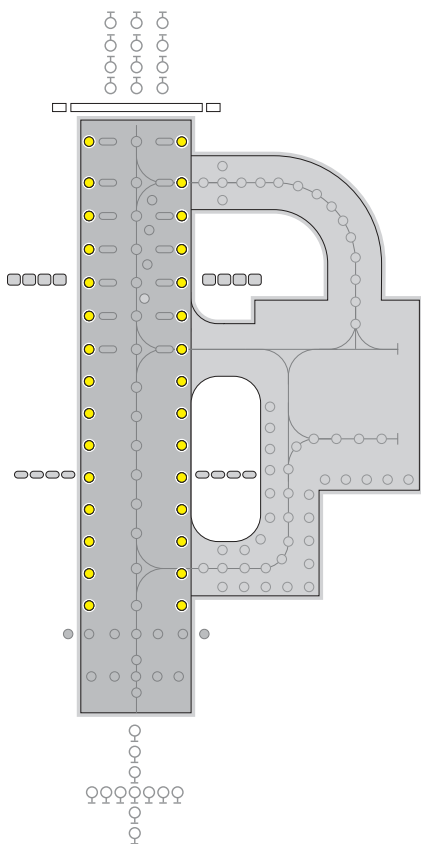


LED technology



# IR959L

LED 8" omni directional runway edge medium intensity lighting solutions



## Applications

Medium Intensity airfield ground lighting (agl) systems

## Compliant with Latest International Standards\*

- ▶ CASA MOS Part 139
- ▶ ICAO Annex 14. Vol 1†
- ▶ FAA AC 150/5345-46†
- ▶ FAA Engineering Brief No. 67†
- ▶ IEC 61827†
- ▶ EASA†
- ▶ Stannag 3316 (NATO)†

\* As applicable to the application, compliance with other civil aviation and military regulations confirmed on request

† Electrical/Mechanical/Environmental characteristics only

# IR959L LED 8" omni directional runway edge medium intensity lighting solutions



## Electrical Performance

Main Beam Aperture		Colour	Typical Power Consumption - Watts (VA) @ 6.6A				
Horiz(°)	Vert(°)		Per Beam Watts	Fitting* Watts (VA)	PF	Tx Primary** Watts (VA)	PF
0 to 359	1 to 7	WHT	15	38.9 (39.4)	0.975	41.8 (42.8)	0.953

Fixture Operational Current Range: 2.6 to 6.7A RMS

**Notes:** Isolating transformer shall be suitably sized to accommodate specific secondary and other applicable losses.

\* as measured at the input leads of the fixture.

\*\* as measured across the primary winding of an appropriately sized isolation transformer with a total fixture and transformer secondary length not exceeding - 1.85m (72"). CCR shall be suitably sized for the indicated transformer VA for the relevant isolating transformer utilised.

## Environmental Conditions

- ▶ Ambient Temperature -55 °C to +55°C (-67 °F to +131°F)
- ▶ Storage Temperature -55°C to +55°C (-67 °F to +131°F)
- ▶ Ingress Protection IP67

## Photometry

### Specification

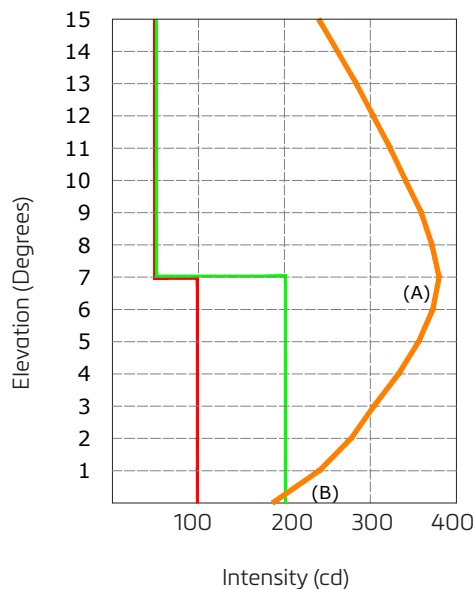
Medium Intensity Runway Edge MOS Part 139 - Para. 9.52 Fig 9.75(2)

Colour	White
Max/Min Intensity ratio	<3.0
Main rect. average intensity range	200-600 cds
Main rect. minimum intensity range	100-200 cds
Second rect. minimum intensity	50 cds

### Typical Measured Values

Colour	White
Max/Min Intensity ratio	2.9
Main rect. average intensity	242 cds
Main rect. maximum intensity (A)	361 cds
Main rect. minimum intensity (B)	124 cds
Second rect. minimum intensity	232 cds

Intensity Chart - Iris medium Intensity Runway Edge. White



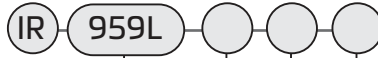
- IR959L - Performanc at 6.6 amps
- MOS139 Runway Edge medium Intensity: Para. 9.52 - Fig. 9.75 (2) Minimum Individual Intensity (50c ds)
- MOS139 Runway Edge medium Intensity: Para. 9.52 - Fig. 9.75 (2) Minimum Average Intensity (100c ds)

# IR959L

LED 8" omni directional runway edge  
medium intensity lighting solutions



## Ordering Codes



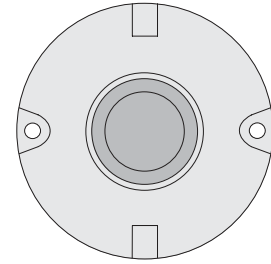
**Application**  
Medium intensity omni runway edge

**Beam Type**  
7 = Omni directional (360°)

**Colour**  
W = White

**Specification**  
3 = MOS139

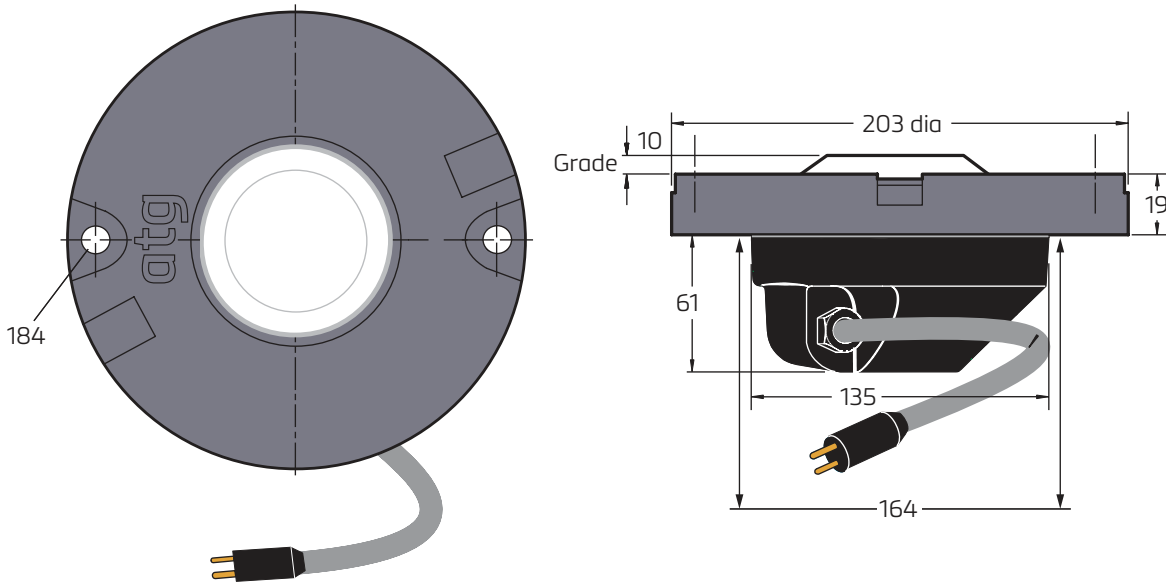
## Beam Options



IR959L  
Omni Directional 360°

# IR959L LED 8" omni directional runway edge medium intensity lighting solutions

## Dimensions



## Packaging

▶ Net weight 3kg ▶ Gross weight 3.5kg ▶ Box 230mm(w) x 230mm(d) x 146mm(h)

\*Dimensions are nominal



**Head Office:**  
**atg airports ltd**  
Lowton Business Park | Newton Road  
Lowton St. Mary's | Warrington  
WA3 2AP | United Kingdom

**THINK  
BEFORE YOU  
PRINT**



atg airports reserve the right to change technical data and details at any point in time. Errors may have occurred

UK: +44 (0) 1942 68 5555 | USA: 001 (239) 985-9406

www.atgairports.com enquiries@atgairports.com sales-usa@atgairports.com

LED AGL  
**IR959L**