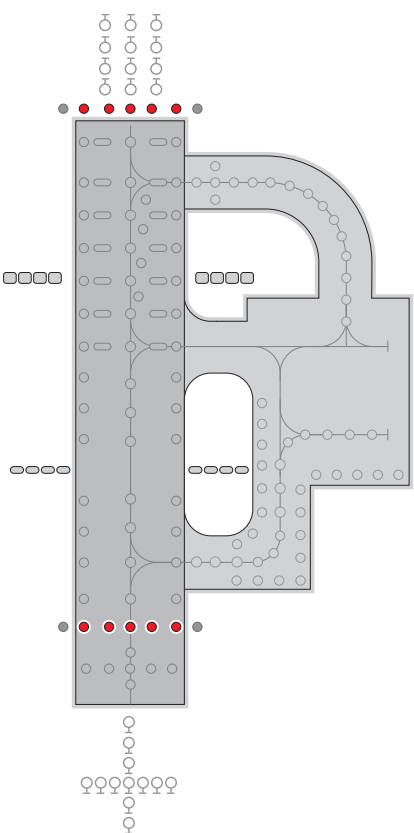


LED technology



IR905L

LED 8" unidirectional
runway end
low intensity lighting
solutions



Applications

Low Intensity airfield
ground lighting (agl)
systems

Compliant with Latest International Standards*

- ▶ CASA MOS Part 139
- ▶ ICAO Annex 14. Vol 1†
- ▶ FAA AC 150/5345-46†
- ▶ FAA Engineering Brief No. 67†
- ▶ IEC 61827†
- ▶ EASA†
- ▶ Stannag 3316 (NATO)†

* As applicable to the application, compliance with other civil aviation and military regulations confirmed on request

† Electrical/Mechanical/Environmental characteristics only

IR905L LED 8" unidirectional runway end low intensity lighting solutions



Electrical Performance

Main Beam Aperture		Colour	Typical Power Consumption - Watts (VA) @ 6.6A				
Horiz(°)	Vert(°)		Per Beam Watts	Fitting* Watts (VA) PF	Tx Primary** Watts (VA) PF		
-19 to 19	0 to 7	RED	1.9	17.2 (17.2)	0.997	28.5 (28.9)	0.987

Fixture Operational Current Range: 6.5 to 6.7A RMS

* as measured at the input leads of the fixture.

** as measured across the primary winding of an appropriately sized isolation transformer with a total fixture and transformer secondary length not exceeding - 1.85m (72").

Note: Isolating transformer shall be suitably sized to accommodate specific secondary and other applicable losses.

Environmental Conditions

- ▶ Ambient Temperature -55 °C to +55°C (-67 °F to +131°F)
- ▶ Storage Temperature -55 °C to +55°C (-67 °F to +131°F)
- ▶ Ingress Protection IP67

Photometry

Specification

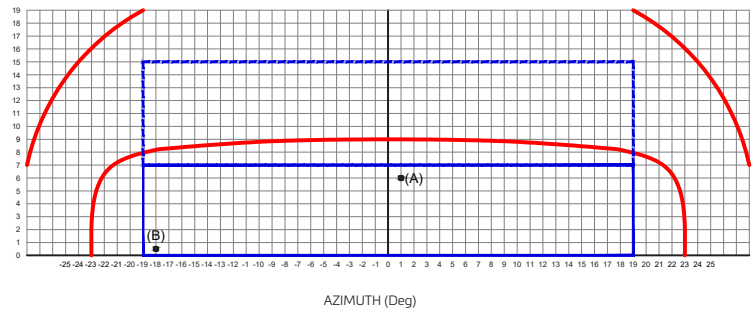
Low Intensity Runway End MOS 139 - Para. 9.65 Fig 9.75(1)

Colour	Red
Max/Min Intensity ratio	<3.0
Main rect. average intensity	25-100 cds
Main rect. minimum intensity	12.5-50 cds
Second rect. minimum intensity	2.5 cds

Typical Measured Values

Colour	Red
Max/Min Intensity ratio	2.48
Main rect. average intensity	42 cds
Main rect. maximum intensity (A)	62 cds
Main rect. minimum intensity (B)	25 cds
Second rect. minimum intensity	6.6 cds

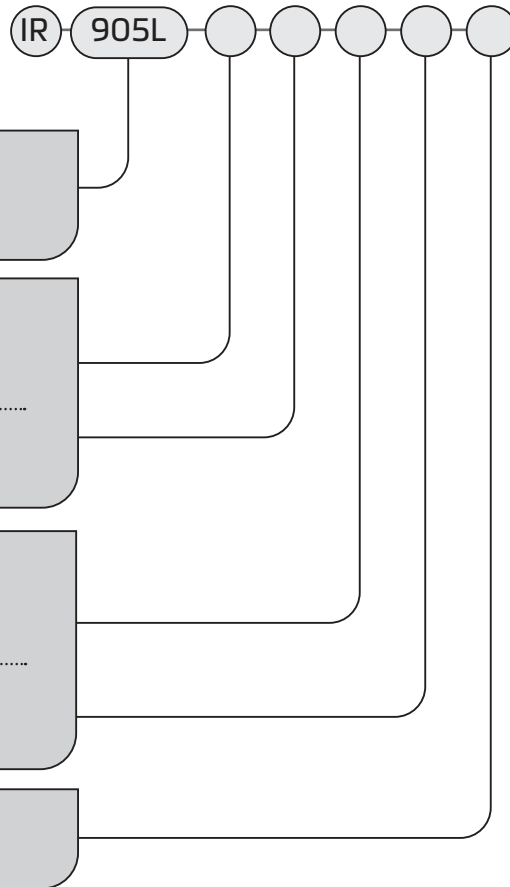
Intensity Chart - IR905L Uni-Directional Low Intensity Runway End



IR905L LED 8" unidirectional runway end low intensity lighting solutions



Ordering Codes



Application
Low intensity unidirectional runway end

Beam Type
A Side
 5 = Wide

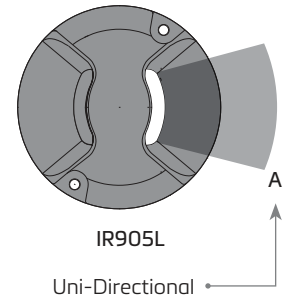
B Side
 0 = Blank

Colour
A Side
 R = Red

B Side
 N = Not Applicable

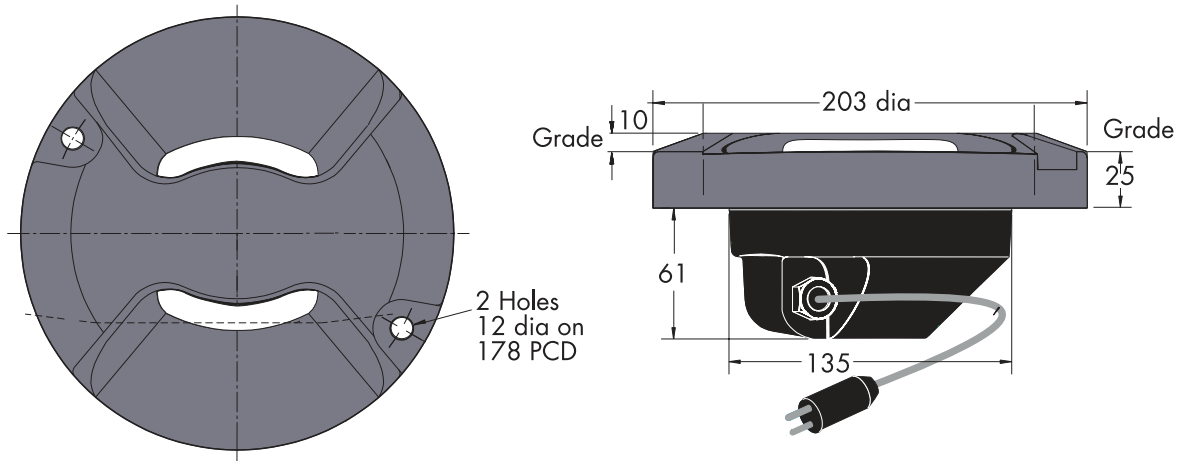
Specification
 3 = MOS139

Beam Options



IR905L LED 8" unidirectional runway end low intensity lighting solutions

Dimensions



Packaging

► Net weight 3.12Kg ► Gross weight 3.52Kg (boxed) ► Box 260mm (L) x 260mm (W) x 175mm (H)

*Dimensions are nominal



Head Office:
atg airports ltd
Lowton Business Park | Newton Road
Lowton St. Mary's | Warrington
WA3 2AP | United Kingdom

**THINK
BEFORE YOU
PRINT**



atg airports reserve the right to change technical data and details at any point in time. Errors may have occurred

UK: +44 (0) 1942 68 5555 | USA: 001 (239) 985-9406

www.atgairports.com enquiries@atgairports.com sales-usa@atgairports.com

LED AGL
IR905L