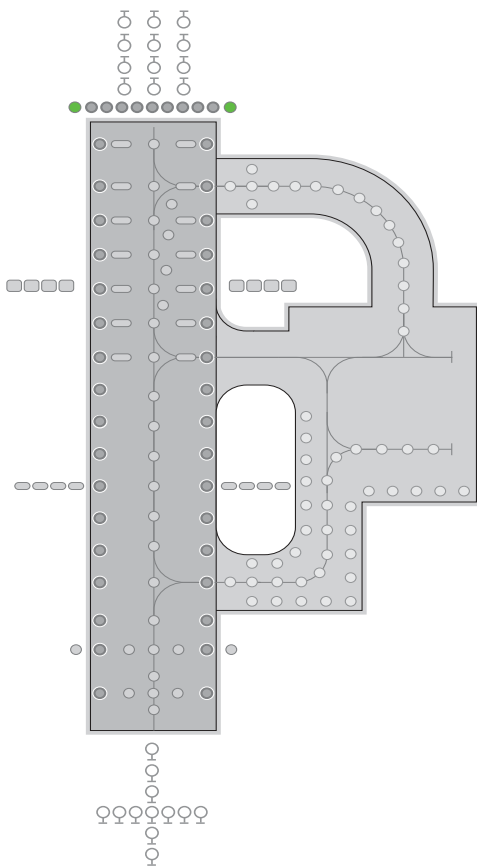


Tungsten halogen



ZA953

Omnidirectional outer threshold medium intensity lighting solutions



Applications

Medium Intensity
airfield ground lighting
(agl) systems

Compliant with Latest International Standards*

- ▶ CASA MOS Part 139
- ▶ ICAO Annex 14. Vol 1†
- ▶ FAA AC 150/5345-46†
- ▶ IEC 61827†
- ▶ EASA†
- ▶ Stannag 3316 (NATO)†

† Electrical/Mechanical/Environmental characteristics only

* As applicable to the application, compliance with other civil aviation and military regulations confirmed on request

Electrical Performance

105 watts lamp, operates from 100 watt series transformer

Fixture Operational Current Range: 2.6 to 6.7A RMS

Notes: Isolating transformer shall be suitably sized to accommodate specific secondary and other applicable losses.

Environmental Conditions

- ▶ Ambient Temperature -55 °C to +55°C (-67 °F to +131°F)
- ▶ Storage Temperature -55 °C to +55°C (-67 °F to +131°F)
- ▶ Ingress Protection IP67

Photometry

Specification

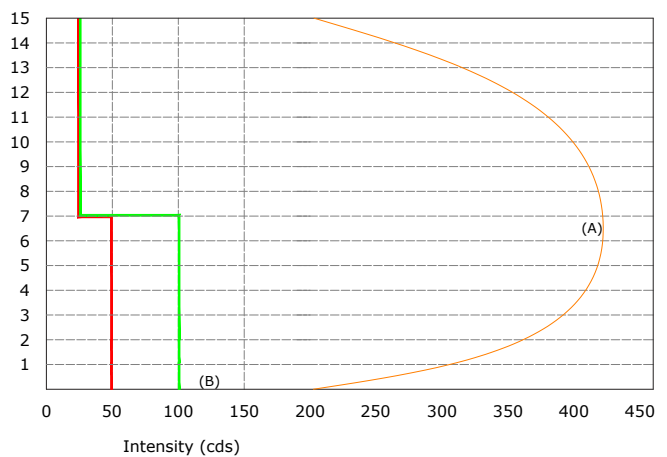
Medium Intensity Threshold (outer) MOS Part 139 - Para. 9.57 Fig 9.75(1)

Colour	Green-Cyan
Max/Min Intensity ratio	<3.0
Main rect. average intensity	200-900 cds
Main rect. minimum intensity	100-450 cds
Second rect. minimum intensity	50 cds

Typical Measured Values

Colour	Green-Cyan
Max/Min Intensity ratio	2.58
Main rect. average intensity	210 cds
Main rect. maximum intensity (A)	320 cds
Main rect. minimum intensity (B)	124 cds
Second rect. minimum intensity	72 cds

Intensity Chart - ZA953 Medium Intensity Threshold (outer)

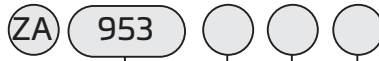


- ZA953 - Performance @ 6.6A
- MOS139 Outer Threshold Medium Intensity: Fig 9.75(1) Minimum Individual Intensity (100cds)
- MOS139 Outer Threshold Medium Intensity: Fig 9.75(1) Minimum Average Intensity (200cds)

ZA953 Omnidirectional outer threshold medium intensity lighting solutions



Ordering Codes



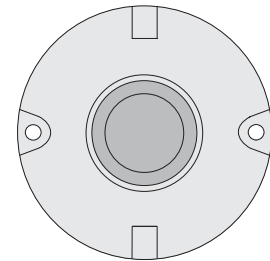
Application
Medium intensity outer threshold

Beam Type
7 = Omni directional (360°)

Colour
C = Cyan Green

Specification
3 = MOS139

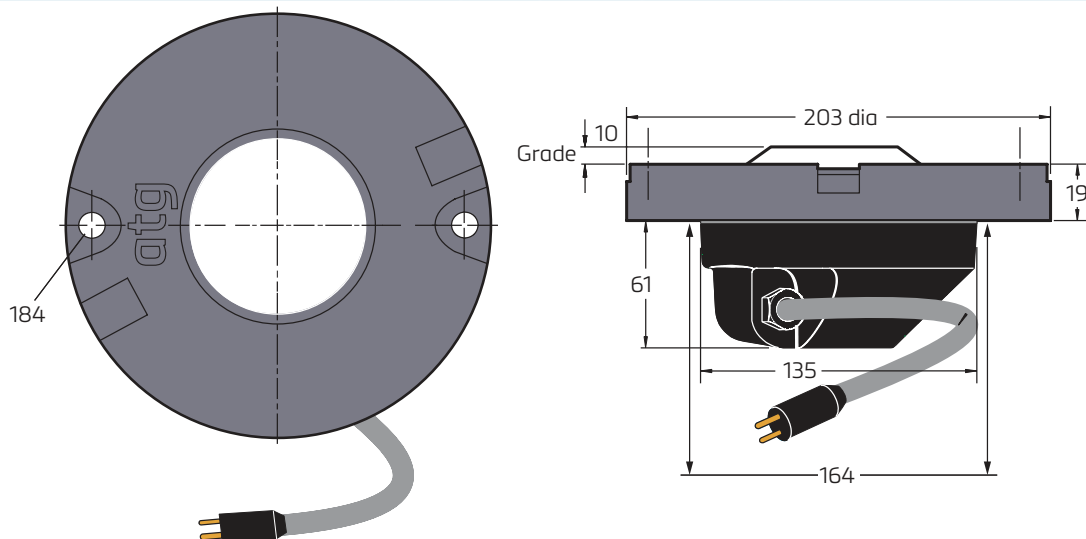
Beam Options



ZA953

ZA953 Omnidirectional outer threshold medium intensity lighting solutions

Dimensions



Packaging

- ▶ Net weight 3.12Kg
- ▶ Gross weight 3.52Kg (boxed)
- ▶ Box 260mm (L) x 260mm (W) x 175mm (H)

*Dimensions are nominal



Head Office:

atg airports Ltd

Lowton Business Park | Newton Road

Lowton St. Mary's | Warrington

WA3 2AP | United Kingdom

**THINK
BEFORE YOU
PRINT**



atg airports reserve the right to change technical data and details at any point in time. Errors may have occurred

UK: +44 (0) 1942 68 5555 | USA: 001 (239) 985-9406

www.atgairports.com enquiries@atgairports.com sales-usa@atgairports.com

ZA953