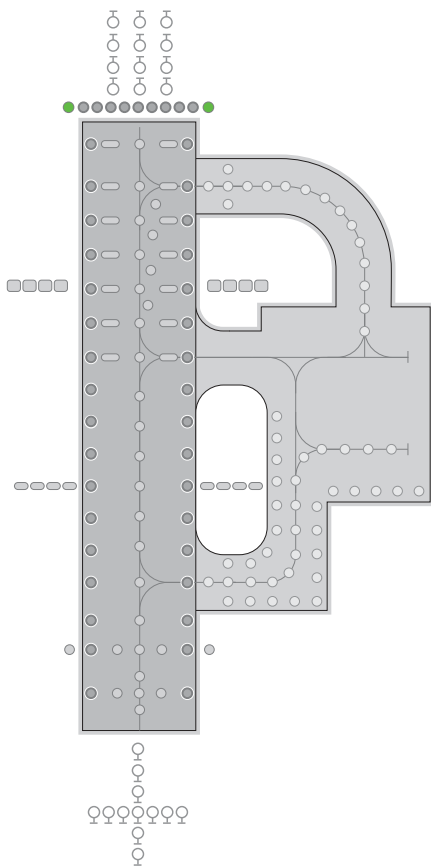




# IR953L

LED 8" omnidirectional outer threshold medium intensity lighting solutions



## Applications

Medium Intensity  
airfield ground lighting  
(agl) systems

## Compliant with Latest International Standards\*

- ▶ CASA MOS Part 139
- ▶ ICAO Annex 14. Vol 1†
- ▶ FAA AC 150/5345-46†
- ▶ FAA Engineering Brief No. 67†
- ▶ IEC 61827†
- ▶ EASA†
- ▶ Stannag 3316 (NATO)†

\* As applicable to the application, compliance with other civil aviation and military regulations confirmed on request

† Electrical/Mechanical/Environmental characteristics only

# IR953L LED 8" omnidirectional outer threshold medium intensity lighting solutions



## Electrical Performance

| Main Beam Aperture |         | Colour  | Typical Power Consumption - Watts (VA) @ 6.6A |                        |       |                            |       |
|--------------------|---------|---------|---|------------------------|-------|----------------------------|-------|
| Horiz(°)           | Vert(°) |         | Per Beam Watts                                | Fitting*<br>Watts (VA) | PF    | Tx Primary**<br>Watts (VA) | PF    |
| 0 to 359           | 0 to 7  | CYN/GRN | 15  | 28.9 (29.4)            | 0.975 | 31.8 (32.8)                | 0.953 |

Fixture Operational Current Range: 2.8 to 6.7A RMS

\* as measured at the input leads of the fixture.

\*\* as measured across the primary winding of an appropriately sized isolation transformer with a total fixture and transformer secondary length not exceeding ~ 1.85m (72").

**Note:** Isolating transformer shall be suitably sized to accommodate specific secondary and other applicable losses.

## Environmental Conditions

- ▶ Ambient Temperature -55 °C to +55°C (-67 °F to +131°F)
- ▶ Storage Temperature -55 °C to +55°C (-67 °F to +131°F)
- ▶ Ingress Protection IP67

## Photometry

### Specification

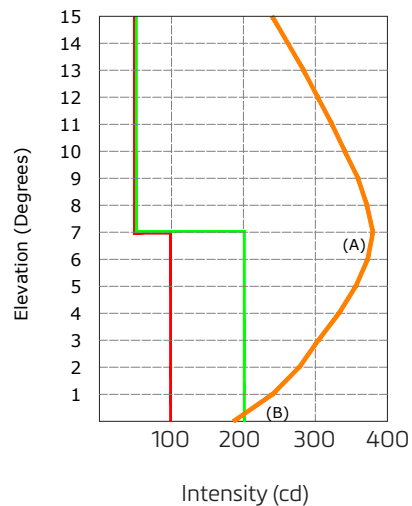
Medium Intensity Threshold (outer) MOS Part 139 - 9.55 Fig 9.75(1)

|                                |             |
|--------------------------------|-------------|
| Colour                         | Green-Cyan  |
| Max/Min Intensity ratio        | <3.0        |
| Main rect. average intensity   | 200-900 cds |
| Main rect. minimum intensity   | 100-450 cds |
| Second rect. minimum intensity | 50 cds      |

### Typical Measured Values

|                                  |            |
|----------------------------------|------------|
| Colour                           | Green-Cyan |
| Max/Min Intensity ratio          | 2.64       |
| Main rect. average intensity     | 243 cds    |
| Main rect. maximum intensity (A) | 362 cds    |
| Main rect. minimum intensity (B) | 124 cds    |
| Second rect. minimum intensity   | 232 cds    |

Intensity Chart - IR953L Medium Intensity Threshold (outer)

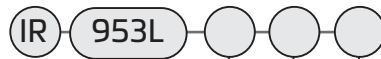


- IR953L - Performance @ 6.6A
- MOS139 Outer Threshold Medium Intensity: Fig 9.75(1) Minimum Individual Intensity (100cds)
- MOS139 Outer Threshold Medium Intensity: Fig 9.75(1) Minimum Average Intensity (200cds)

# IR953L LED 8" omnidirectional outer threshold medium intensity lighting solutions



## Ordering Codes



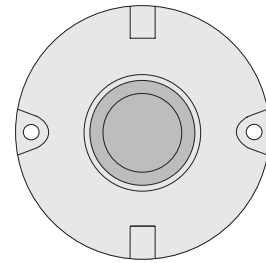
**Application**  
Medium intensity outer threshold

**Beam Type**  
7 = Omni directional (360°)

**Colour**  
C = Cyan Green

**Specification**  
3 = MOS139

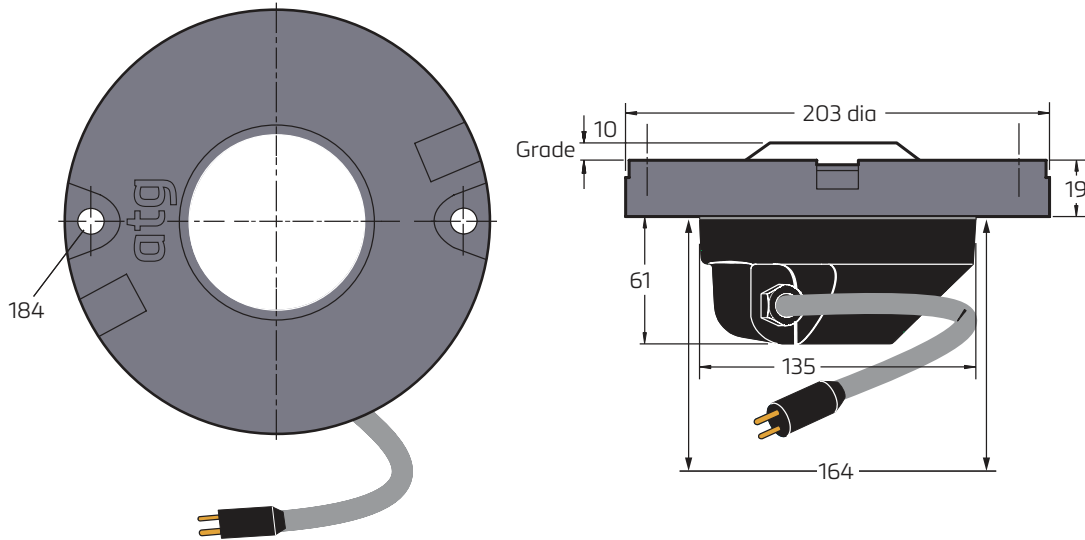
## Beam Options



IR953L

# IR953L LED 8" omnidirectional outer threshold medium intensity lighting solutions

## Dimensions



## Packaging

► Net weight 3.12Kg ► Gross weight 3.52Kg (boxed) ► Box 260mm (L) x 260mm (W) x 175mm (H)

\*Dimensions are nominal



**Head Office:**  
**atg airports ltd**  
Lowton Business Park | Newton Road  
Lowton St. Mary's | Warrington  
WA3 2AP | United Kingdom

**THINK  
BEFORE YOU  
PRINT**



atg airports reserve the right to change technical data and details at any point in time. Errors may have occurred

UK: +44 (0) 1942 68 5555 | USA: 001 (239) 985-9406

www.atgairports.com enquiries@atgairports.com sales-usa@atgairports.com

LED AGL  
**IR953L**