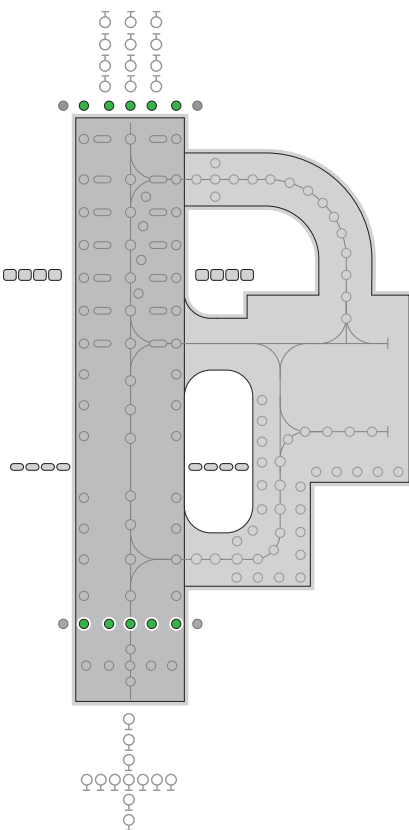


LED technology



# IR951L

LED 8" unidirectional runway threshold medium intensity lighting solutions



## Applications

Medium Intensity airfield ground lighting (agl) systems

## Compliant with Latest International Standards\*

- ▶ CASA MOS Part 139
- ▶ ICAO Annex 14. Vol 1†
- ▶ FAA AC 150/5345-46†
- ▶ FAA Engineering Brief No. 67†
- ▶ IEC 61827†
- ▶ EASA†
- ▶ Stannag 3316 (NATO)†

\* As applicable to the application, compliance with other civil aviation and military regulations confirmed on request

† Electrical/Mechanical/Environmental characteristics only

LED AGL  
IR951L

UK: +44 (0) 1942 68 5555 | USA: 001 (239) 985-9406

www.atgairports.com enquiries@atgairports.com sales-usa@atgairports.com

# IR951L LED 8" unidirectional runway threshold medium intensity lighting solutions



## Electrical Performance

Main Beam Aperture		Colour	Typical Power Consumption - Watts (VA) @ 6.6A				
Horiz(°)	Vert(°)		Per Beam Watts	Fitting* Watts (VA)	PF	Tx Primary** Watts (VA)	PF
-19 to 19	0 to 7	CYN/GRN	6.2	25.8 (26.0)	0.99	35.0 (38.5)	0.986

Fixture Operational Current Range: 2.8 to 6.7A RMS

\* as measured at the input leads of the fixture.

\*\* as measured across the primary winding of an appropriately sized isolation transformer with a total fixture and transformer secondary length not exceeding ~ 1.85m (72").

**Note:** Isolating transformer shall be suitably sized to accommodate specific secondary and other applicable losses.

## Environmental Conditions

- ▶ Ambient Temperature -55 °C to +55°C (-67 °F to +131°F)
- ▶ Storage Temperature -55 °C to +55°C (-67 °F to +131°F)
- ▶ Ingress Protection IP67

## Photometry

### Specification

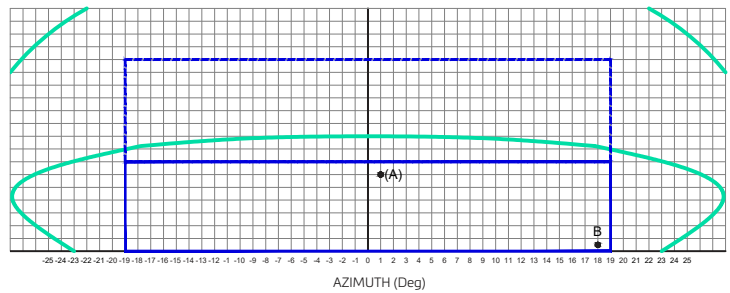
Medium Intensity Threshold (Inner) MOS Part 139 - Para. 9.57 Fig 9.75(1)

Colour	Green-Cyan
Max/Min Intensity ratio	<3.0
Main rect. average intensity	200-900 cds
Main rect. minimum intensity	100-450 cds
Second rect. minimum intensity	50 cds

### Typical Measured Values

Colour	Green-Cyan
Max/Min Intensity ratio	2.64
Main rect. average intensity	286 cds
Main rect. maximum intensity (A)	304 cds
Main rect. minimum intensity (B)	115 cds
Second rect. minimum intensity	69 cds

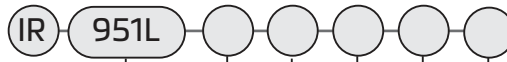
Intensity Chart - IR951L Uni-Directional Medium Intensity Threshold (Inner)



# IR951L LED 8" unidirectional runway threshold medium intensity lighting solutions



## Ordering Codes



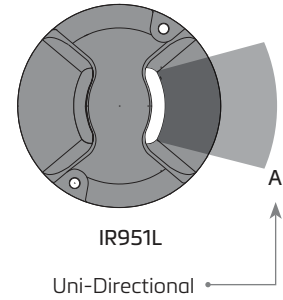
**Application**  
Medium intensity unidirectional runway threshold (inner)

**Beam Type**  
**A Side**  
 5 = Wide  
 .....  
**B Side**  
 0 = Blank

**Colour**  
**A Side**  
 C = Cyan/Green  
 .....  
**B Side**  
 N = Not Applicable

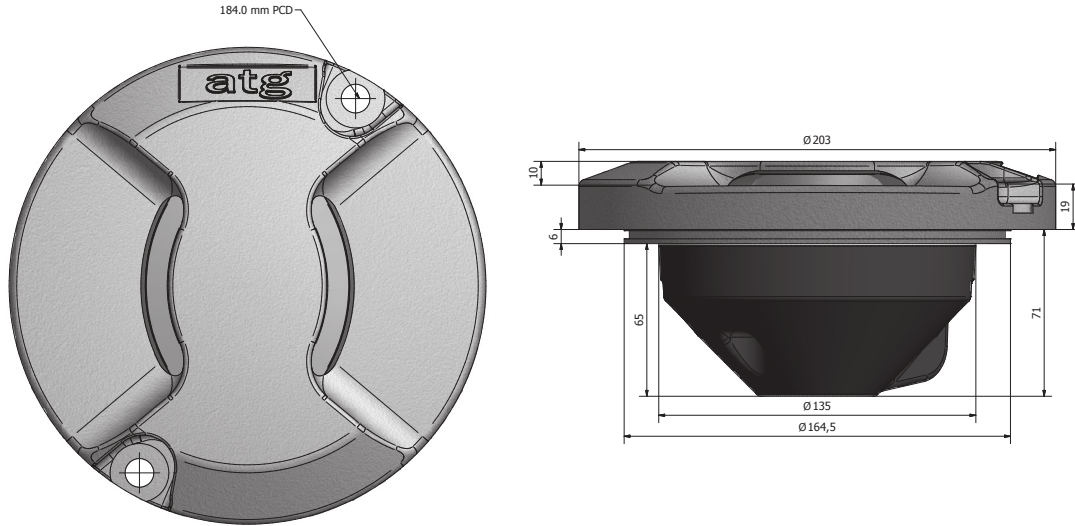
**Specification**  
 3 = MOS139

## Beam Options



# IR951L LED 8" unidirectional runway threshold medium intensity lighting solutions

## Dimensions



## Packaging

► Net weight 3.12Kg ► Gross weight 3.52Kg (boxed) ► Box 260mm (L) x 260mm (W) x 175mm (H)

\*Dimensions are nominal



**Head Office:**  
**atg airports Ltd**  
Lowton Business Park | Newton Road  
Lowton St. Mary's | Warrington  
WA3 2AP | United Kingdom

**THINK  
BEFORE YOU  
PRINT**



atg airports reserve the right to change technical data and details at any point in time. Errors may have occurred

UK: +44 (0) 1942 68 5555 | USA: 001 (239) 985-9406

www.atgairports.com enquiries@atgairports.com sales-usa@atgairports.com

LED AGL  
**IR951L**