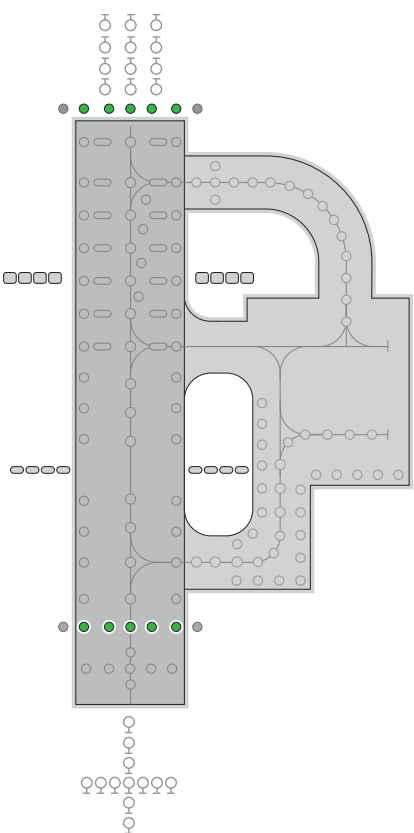


LED technology



IR901L

LED 8" unidirectional runway threshold low intensity lighting solutions



Applications

Low Intensity airfield ground lighting (agl) systems

Compliant with Latest International Standards*

- ▶ CASA MOS Part 139
- ▶ ICAO Annex 14. Vol 1†
- ▶ FAA AC 150/5345-46†
- ▶ FAA Engineering Brief No. 67†
- ▶ IEC 61827†
- ▶ EASA†
- ▶ Stannag 3316 (NATO)†

* As applicable to the application, compliance with other civil aviation and military regulations confirmed on request

† Electrical/Mechanical/Environmental characteristics only

LED AGL
IR901L

UK: +44 (0) 1942 68 5555 | USA: 001 (239) 985-9406

www.atgairports.com | enquiries@atgairports.com | sales-usa@atgairports.com

IR901L LED 8" unidirectional runway threshold low intensity lighting solutions



Electrical Performance

Main Beam Aperture		Colour	Typical Power Consumption - Watts (VA) @ 6.6A				
Horiz(°)	Vert(°)		Per Beam Watts	Fitting* Watts (VA)	PF	Tx Primary** Watts (VA)	PF
-19 to 19	0 to 7	CYN/GRN	3.2	15.8 (15.8)	0.997	28.1 (28.5)	0.986

Fixture Operational Current Range: 6.5 to 6.7A RMS

* as measured at the input leads of the fixture.

** as measured across the primary winding of an appropriately sized isolation transformer with a total fixture and transformer secondary length not exceeding ~ 1.85m (72").

Note: Isolating transformer shall be suitably sized to accommodate specific secondary and other applicable losses.

Environmental Conditions

- ▶ Ambient Temperature -55 °C to +55°C (-67 °F to +131°F)
- ▶ Storage Temperature -55 °C to +55°C (-67 °F to +131°F)

- ▶ Ingress Protection IP67

Photometry

Specification

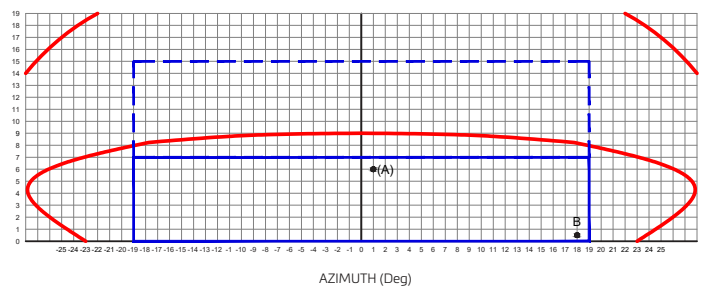
Low Intensity Threshold (Inner) MOS 139 - Para 9.57 Fig 9.75(1)

Colour	Green-Cyan
Max/Min Intensity ratio	<3.0
Main rect. average intensity	100-300 cds
Main rect. minimum intensity	50-150 cds
Second rect. minimum intensity	25 cds

Typical Measured Values

Colour	Green-Cyan
Max/Min Intensity ratio	2.64
Main rect. average intensity	138.4 cds
Main rect. maximum intensity (A)	152 cds
Main rect. minimum intensity (B)	57.5 cds
Second rect. minimum intensity	38.2 cds

Intensity Chart - IR901L Uni-Directional Low Intensity Threshold (Inner)

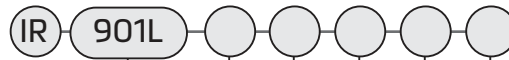


AZIMUTH (Deg)

IR901L LED 8" unidirectional runway threshold low intensity lighting solutions



Ordering Codes



Application
Low intensity unidirectional runway threshold (inner)

Beam Type
A Side
 5 = Wide

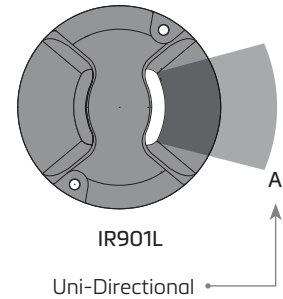
B Side
 0 = Blank

Colour
A Side
 C = Cyan/Green

B Side
 N = Not Applicable

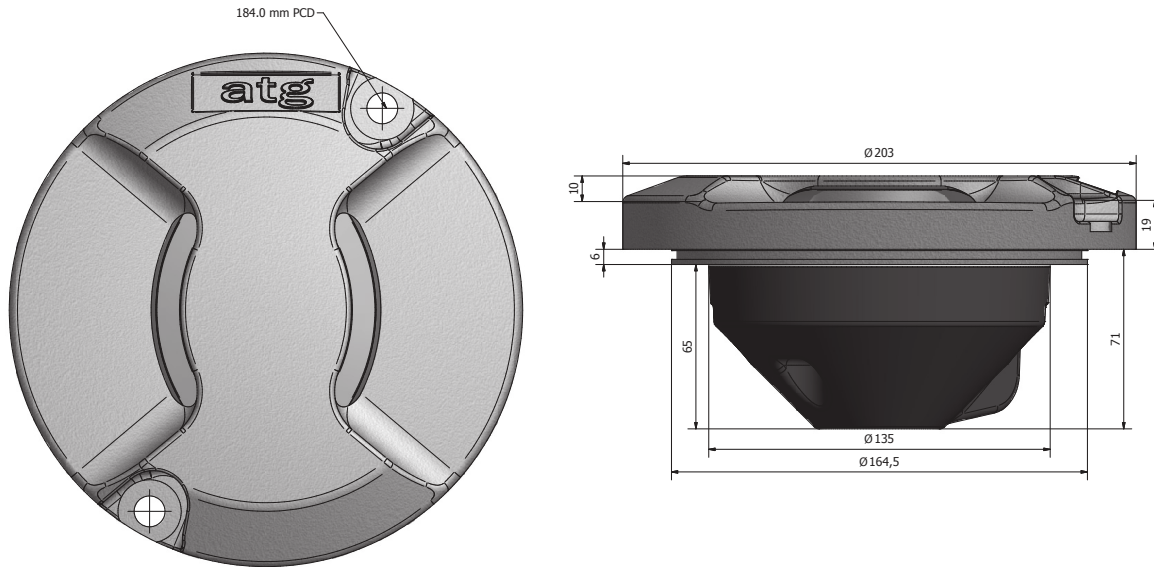
Specification
 3 = MOS139

Beam Options



IR901L LED 8" unidirectional runway threshold low intensity lighting solutions

Dimensions



Packaging

▶ Net weight 3.12Kg ▶ Gross weight 3.52Kg (boxed) ▶ Box 260mm (L) x 260mm (W) x 175mm (H)

*Dimensions are nominal



Head Office:
atg airports ltd
Lowton Business Park | Newton Road
Lowton St. Mary's | Warrington
WA3 2AP | United Kingdom

**THINK
BEFORE YOU
PRINT**



atg airports reserve the right to change technical data and details at any point in time. Errors may have occurred

UK: +44 (0) 1942 68 5555 | USA: 001 (239) 985-9406

LED AGL
IR901L

www.atgairports.com enquiries@atgairports.com sales-usa@atgairports.com