

Tungsten halogen technology



Heliport & Helipad Lighting

TLOF

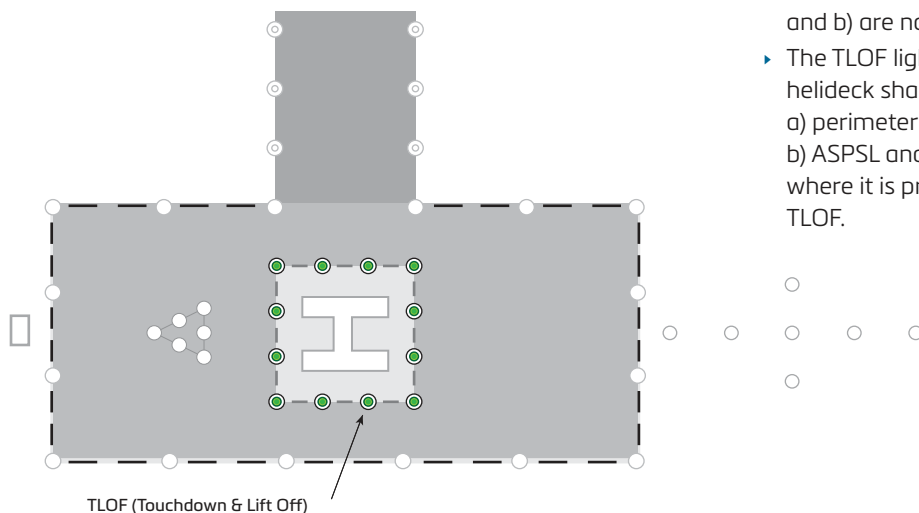
Inset omni directional
Touchdown and lift off
area perimeter light

Compliant with Latest International Standards

- ▶ FAA AC 150/5390 2C EB87
- ▶ ICAO Annex 14 Vol II, Fig 5-9, Illustration 6
- ▶ IEC 61827
- ▶ STANAG 3316 Annex C fig 3

Applications

- ▶ Omni-directional Inset fitting for touchdown and lift off area (TLOF)
- ▶ A TLOF lighting system shall be provided at a heliport intended for use at night.
- ▶ The TLOF lighting system for a surface-level heliport shall consist of one or more of the following:
 - a) perimeter lights; or
 - b) floodlighting; or
 - c) arrays of segmented point source lighting (ASPSL) or luminescent panel (LP) lighting to identify the TLOF when a) and b) are not practicable and FATO lights are available.
- ▶ The TLOF lighting system for an elevated heliport or helideck shall consist of
 - a) perimeter lights; and
 - b) ASPSL and/or LPs to identify the touchdown marking where it is provided and/or floodlighting to illuminate the TLOF.



UK: +44 (0) 1942 68 5555 | USA: 001 (239) 985-9406

www.atgairports.com enquiries@atgairports.com sales-usa@atgairports.com

Heliport Lighting
ZA295

Electrical Performance

48 Watt Lamp

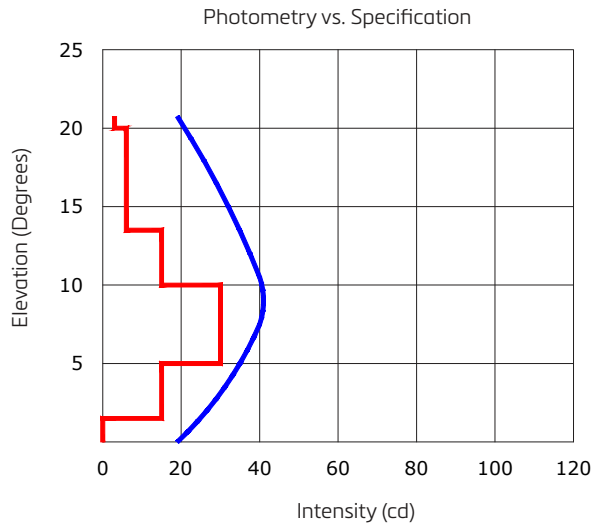
Environmental Conditions

▶ Ambient Temperature -40°C* to 55°C

▶ Storage Temperature -40°C* to 55°C

* -20°C for mains supply units

Photometry



Specification
 — ZA295 - 48 Watt Lamp
 — ICAO Annex 14: 2 Edition Illustration 6

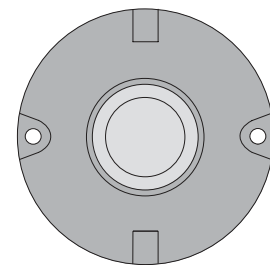
Performance omni-directional, graph shows a typical slice

Ordering Codes ZA295



- Application**
ZA295
- Beam Type**
7 = Omni Directional (360°)
- Colour**
G = Green
- Specification**
1 = FAA
2 = ICAO
- Electrical Supply**
1 = 6.6 Amps
2 = 240V
3 = 120V

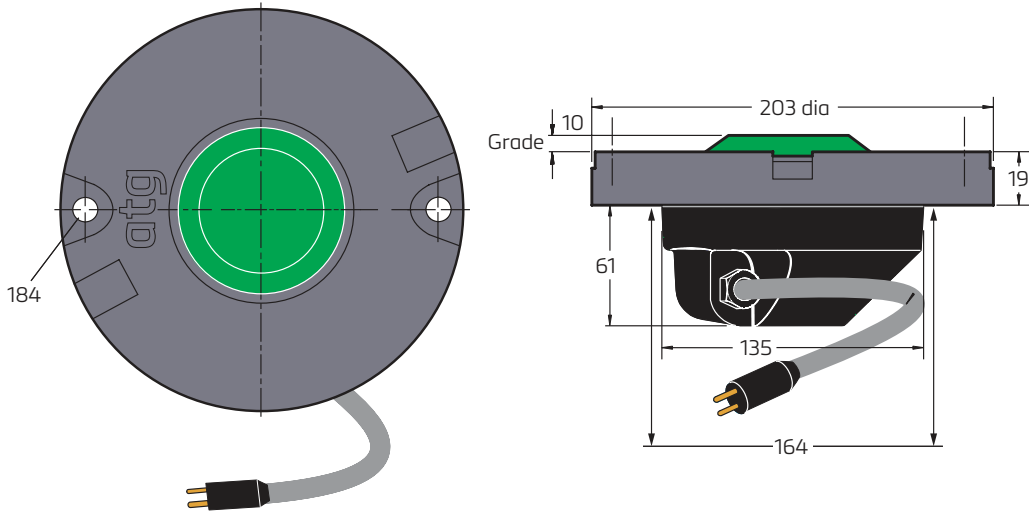
Beam Options



ZA295
Omni Directional 360°

Heliport Series | Touchdown & Lift-Off

Dimensions



Packaging

► Net weight 3kg ► Gross weight 3.5kg ► Box 230mm(w) x 230mm(d) x 146mm(h)

Consultants specification and installation information is available by request.
Contact marketing@atgairports for further details.



Head Office:
atg airports ltd
Lowton Business Park | Newton Road
Lowton St. Mary's | Warrington
WA3 2AP | United Kingdom



atg airports reserve the right to change technical data and details at any point in time. Errors may have occurred

UK: +44 (0) 1942 68 5555 | USA: 001 (239) 985-9406

www.atgairports.com enquiries@atgairports.com sales-usa@atgairports.com

Heliport Lighting
ZA295