



Heliport & Helipad Lighting

TLOF

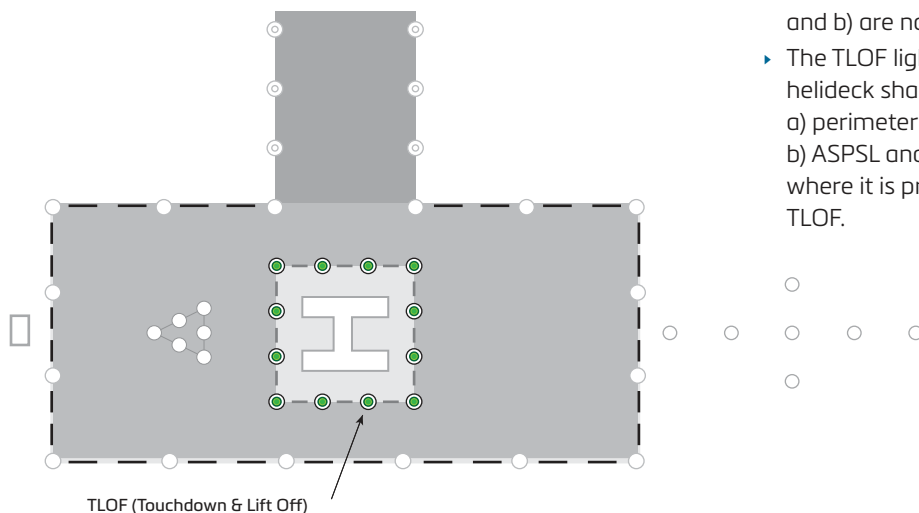
LED Inset
Omni directional
Touchdown and lift off
area perimeter light

Compliant with Latest International Standards

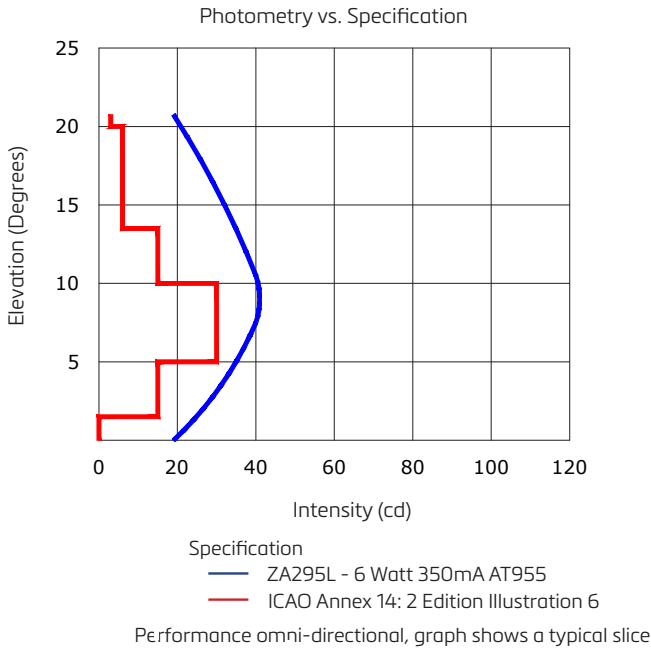
- ▶ FAA AC 150/5390 2C EB87
- ▶ ICAO Annex 14 Vol II, Fig 5-9, Illustration 6
- ▶ IEC 61827
- ▶ STANAG 3316 Annex C fig 3

Applications

- ▶ Omni-directional Inset fitting for touchdown and lift off area (TLOF)
- ▶ A TLOF lighting system shall be provided at a heliport intended for use at night.
- ▶ The TLOF lighting system for a surface-level heliport shall consist of one or more of the following:
 - a) perimeter lights; or
 - b) floodlighting; or
 - c) arrays of segmented point source lighting (ASPSL) or luminescent panel (LP) lighting to identify the TLOF when a) and b) are not practicable and FATO lights are available.
- ▶ The TLOF lighting system for an elevated heliport or helideck shall consist of
 - a) perimeter lights; and
 - b) ASPSL and/or LPs to identify the touchdown marking where it is provided and/or floodlighting to illuminate the TLOF.



Photometry



Rated Life of Light emitting diode

The light emitting diode OEM recommends that a typical lumen maintenance life of 50 000 hours is forecast by standard industry reliability tests for the LED used in this product.

Electrical Performance

Options include

For use on an airfield type circuit (variable brightness).

For use on a mains supply (fixed brightness) 240 volt or 120 volt constant voltage supply "

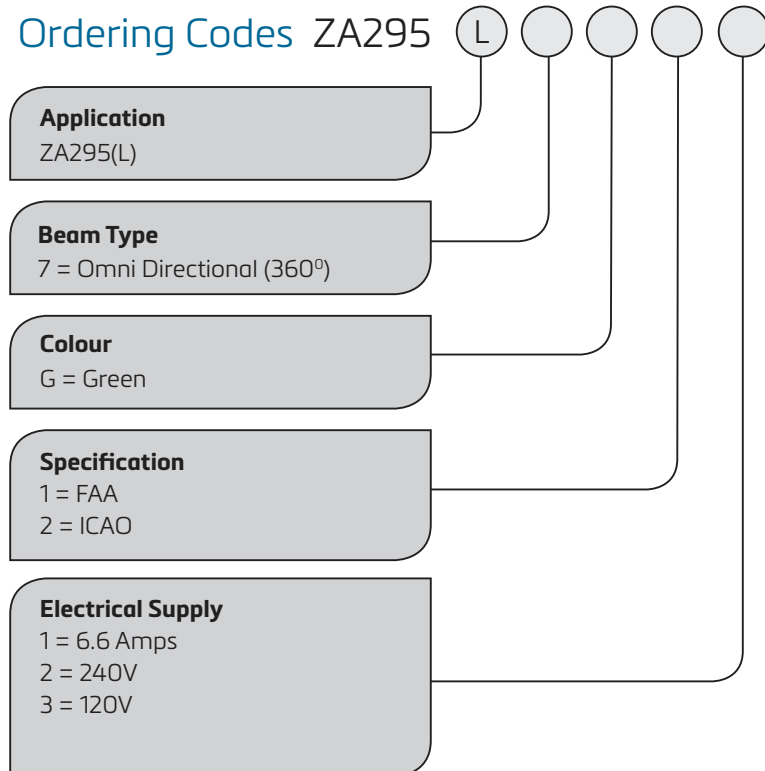
Environmental Conditions

▶ Ambient Temperature -40°C* to 55°C

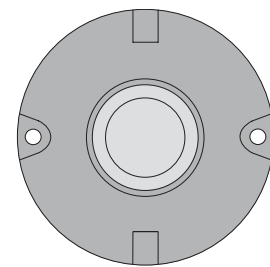
▶ Storage Temperature -40°C* to 55°C

* -20°C for mains supply units

Ordering Codes ZA295



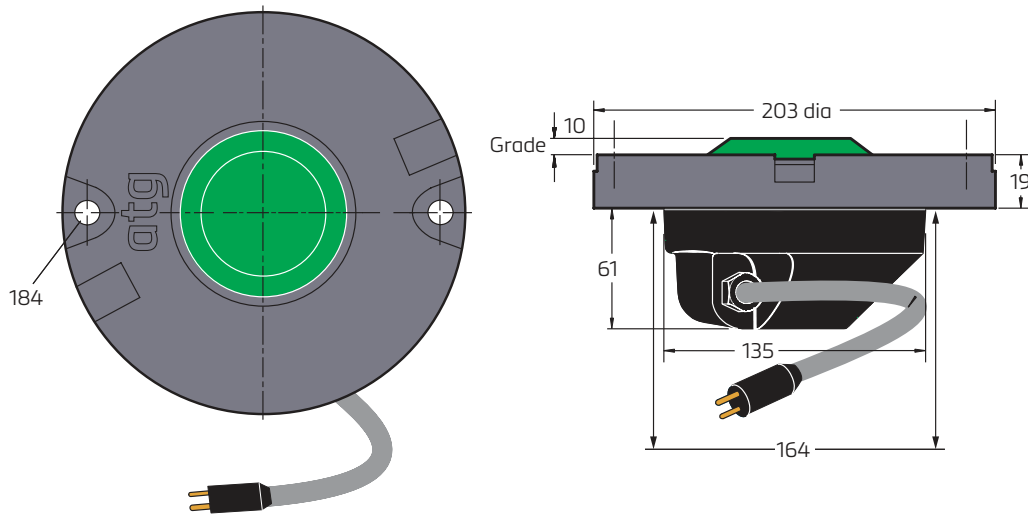
Beam Options



ZA295L
Omni Directional 360°

Heliport Series | Touchdown & Lift-Off

Dimensions



Packaging

▶ Net weight 3kg ▶ Gross weight 3.5kg ▶ Box 230mm(w) x 230mm(d) x 146mm(h)

Consultants specification and installation information is available by request.
Contact marketing@atgairports for further details.



Head Office:
atg airports ltd
Lowton Business Park | Newton Road
Lowton St. Mary's | Warrington
WA3 2AP | United Kingdom

atg airports reserve the right to change technical data and details at any point in time. Errors may have occurred

**THINK
BEFORE YOU
PRINT**



UK: +44 (0) 1942 68 5555 | USA: 001 (239) 985-9406

www.atgairports.com | enquiries@atgairports.com | sales-usa@atgairports.com

Heliport Lighting
ZA295L