



FX862AP

Approach
Elevated LED fixture
High intensity
lighting solutions

Compliant to Latest International Standards*

- ▶ ICAO Annex 14. Vol 1
- ▶ FAA AC 150/5345-46
- ▶ FAA Engineering Brief No.67
- ▶ IEC 61827
- ▶ EASA
- ▶ Stannag 3316 (NATO)

Applications

CAT I/II/III all weather operation airfield ground
lighting (agl) systems.

* As applicable to the application, compliance with other civil aviation and
military regulations confirmed on request

† Electrical/Mechanical/Environmental characteristics only

FX862AP

LED Elevated Approach
High intensity lighting solutions



Electrical Performance

Main Beam Aperture		Colour	Typical Power Consumption - Watts (VA) @ 6.6A				
Horiz(°)	Vert(°)		Per Beam Watts nominal	Watts	Fitting* PF	Tx Primary** Watts	PF
-10 to +10	All Angles 2.5 to 13.5 at 0.5 degree intervals	White	30	30	0.98	30	0.98

Fixture Operational Current Range: 2.8 to 6.6A RMS

* as measured at the input leads of the fixture.

** as measured across the primary winding of an appropriately sized isolation transformer with a total fixture and transformer secondary length not exceeding - 1.85m (72").

*** electrical characteristics measured with 45 watt transformer, fitting can operate from transformers up to 100 watts.

Note: Isolating transformer shall be suitably sized to accommodate specific secondary and other applicable losses.

Photometry

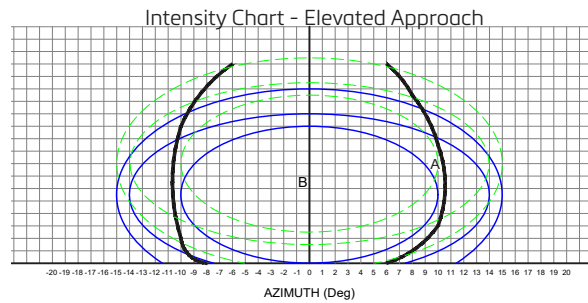
Specification

Runway Approach ICAO Fig. A2-1

Colour	White
Max/Min Intensity ratio	<3.0
Main ellipse average intensity	20000cdfs
Main ellipse minimum intensity	10000cdfs
Second ellipse minimum intensity	2000cdfs
Third ellipse minimum intensity	1000cdfs

Typical Measured Values

Colour	White
Max/Min Intensity ratio	2.75
Main ellipse average intensity	20827cdfs
Main ellipse maximum intensity	34041cdfs
Main ellipse minimum intensity	12343cdfs
Second ellipse minimum intensity	3261cdfs
Third ellipse minimum intensity	1632cdfs



UK: +44 (0) 1942 68 5555 | USA: +1 (239) 985-9406

FX862AP

www.atgairports.com | enquiries@atgairports.com | sales-usa@atgairports.com

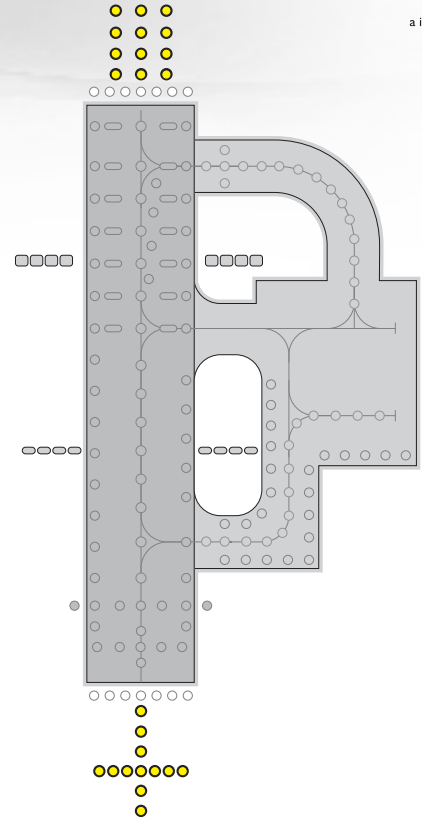
FX862AP

LED Elevated Approach
High intensity lighting solutions



Features

- Low energy consumption compared with the tungsten halogen equivalent.
- Greatly reduced maintenance: Estimated lamp life of 75,000 hours at 6.6A.
- Operates on the full range of 2.8A to 6.6A on either 3 or 5 step IGBT, ferroresonant or thyristor CCRs that are designed in compliance with IEC or FAA requirements. Fully dimmable lights, replicating the response curve of traditional halogen lights.
- No need to replace the CCRs, series transformers, or cables. Full compatibility with existing airfield lighting series circuits. Installation on same mounting device as most conventional lights, for a straightforward replacement.
- Monitoring function of the individual light source. In case of a defect, the LED light automatically disconnects from the secondary side of the isolation transformer, resulting in an open circuit condition.
- Low operating temperature, ensuring longer component life.
- FAA L-823 connector
- Sealed cable entry to main assembly interface preventing insect and water ingress.
- powder coating, aviation yellow colour
- Integral surge protection



Environmental Conditions

- ▶ Ambient Temperature -55 °C to +55°C (-67 °F to +131°F)
- ▶ Atmospheric Altitude up to 10,000 feet (3000m)
- ▶ Storage Temperature -55°C to +70°C (-67 °F to +158°F)
- ▶ Relative Humidity 0-100% (sealed unit)

Standards	
EMC protection	Immunity IEC 61000-4 Emission IEC 61000-2
Ingress protection class dust/liquids	IP67 (IEC69598-1)
Vibration resistance	IEC60068-2-6

UK: +44 (0) 1942 68 5555 | USA: +1 (239) 985-9406

FX862AP

www.atgairports.com | enquiries@atgairports.com | sales-usa@atgairports.com

FX862AP

LED Elevated Approach
High intensity lighting solutions



Ordering Codes: (FX) 862AP 1 N W N 2

Application
FX862AP(L) Approach

Beam Type
A Side
1 = Straight / Axial
.....
Beam Type
B Side
N = Not applicable

Colour
A Side
W = White
.....
B Side
N = Not applicable

Specification
2 = ICAO

Additional optional features are available upon request

Beam Options



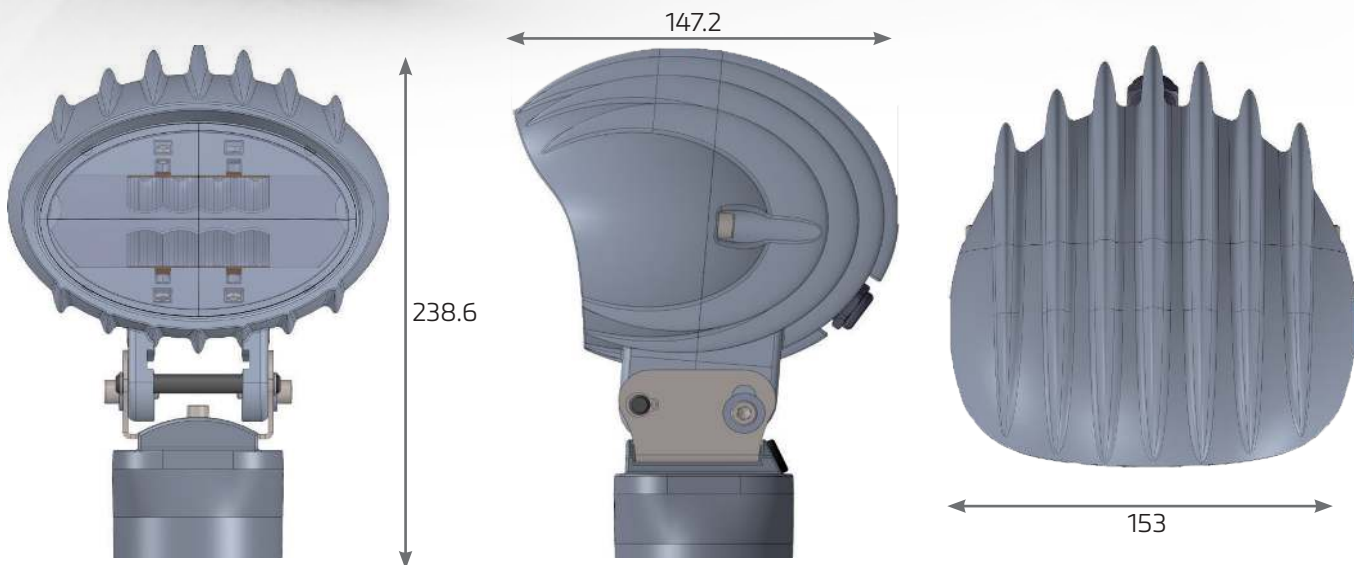
A
↑
FX862AP
→ Uni-directional



FX862AP

LED Elevated Approach
High intensity lighting solutions

Dimensions



Packaging

- ▶ Net weight 2.9Kg
- ▶ Gross weight 3.2 (boxed)
- ▶ Box 302mm (L) x 250mm (W) x 203mm (H)



Head Office:

atg airports ltd

Lowton Business Park | Newton Road

Lowton St. Mary's | Warrington

WA3 2AP | United Kingdom

atg airports reserve the right to change technical data and details at any point in time. Errors may have occurred



UK: +44 (0) 1942 68 5555 | USA: +1 (239) 985-9406

www.atgairports.com enquiries@atgairports.com sales-usa@atgairports.com

FX862AP