

LED technology



# Apollo

High Intensity Elevated  
LED Runway Guard Light

## Applications

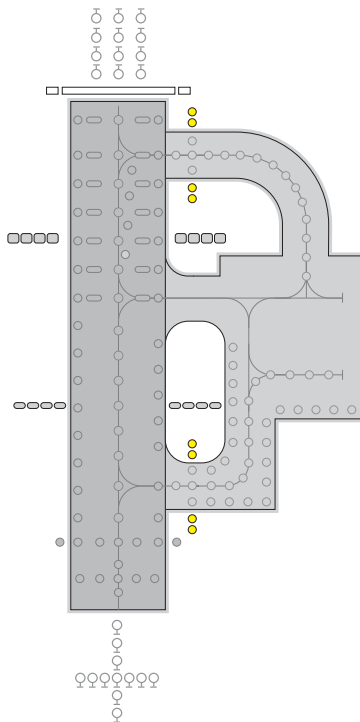
CAT I/II/III all weather operation  
airfield ground lighting systems.

## Compliant with Latest International Standards\*

- ▶ ICAO Annex 14. Vol 1
- ▶ FAA L-804†
- ▶ IEC 61827
- ▶ EASA
- ▶ Stannag 3316 (NATO)

\* As applicable to the application, compliance with other civil aviation and military regulations confirmed on request

†For height, frangibility, and photometric output



# Apollo High intensity LED elevated runway guard light



## Electrical Performance

Main Beam Aperture		Colour	Typical Power Consumption - Watts (VA) @ 6.6A					Isolating Transformer
Horiz(°)	Vert(°)		Per Beam Watts	Fitting* Watts (VA)	PF	Tx Primary** Watts (VA)	PF	
-8° to +8°	-8° to 8°	Yellow	20W	25VA	0.9	25W	0.9	45W

Fixture Operational Current Range: 2.7 to 6.7A RMS

Notes: Isolating transformer shall be suitably sized to accommodate specific secondary and other applicable losses.

\* as measured at the input leads of the fixture.

\*\* as measured across the primary winding of an appropriately sized isolation transformer with a total fixture and transformer secondary length not exceeding - 1.85m (72"). CCR shall be suitably sized for the indicated transformer VA for the relevant isolating transformer utilised.

\*\*\* adjustable angle 0°, 5°, 11°, 15°, and 20°

## Environmental Conditions

▶ Ambient Temperature -40°C to +55°C (-67 °F to +131°F)

▶ Storage Temperature -40°C to +55°C (-67 °F to +131°F)

▶ Ingress Protection > IP65

### Specification

#### High Intensity Runway Guard Light ICAO Fig. A2-25

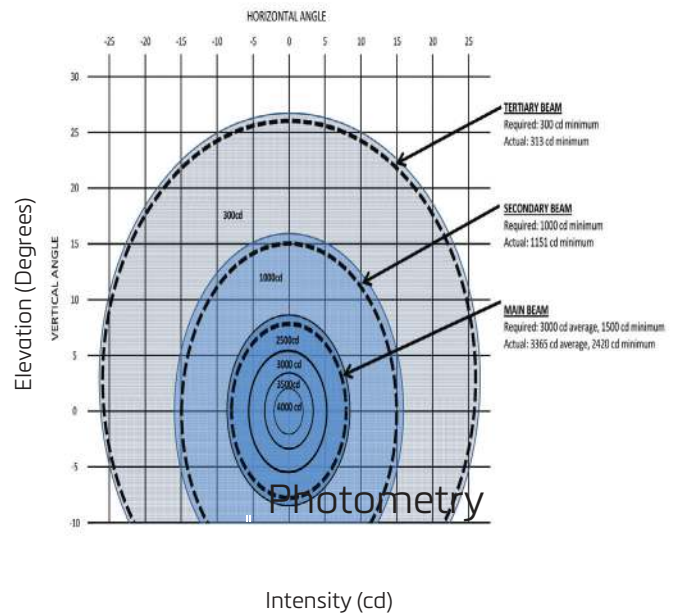
Colour	Yellow
Max/Min Intensity ratio	<3.0
Main ellipse average intensity	3000cds
Main ellipse minimum intensity	1500cds
Second ellipse minimum intensity	1000cds
Third ellipse minimum intensity	300cds

#### Typical Measured Values

Colour	Yellow
Main ellipse average intensity	3436cds
Main ellipse maximum intensity	2496cds
Main ellipse minimum intensity	1173cds
Second ellipse minimum intensity	1165cds
Third ellipse minimum intensity	343cds

\* Photometry tested under steady rate, actual flash rate 45/50 flashed per minuet

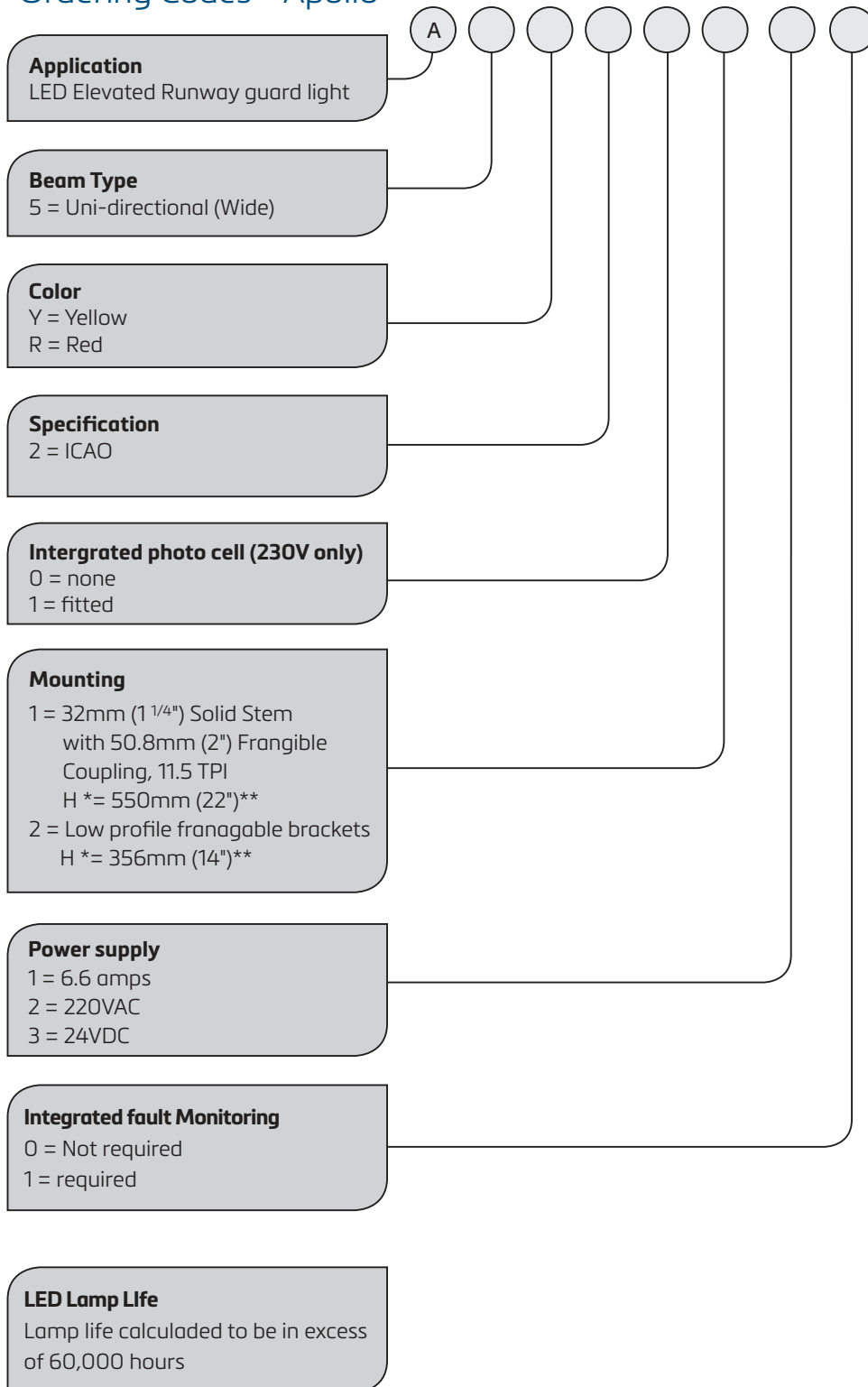
Photometry vs. Specification



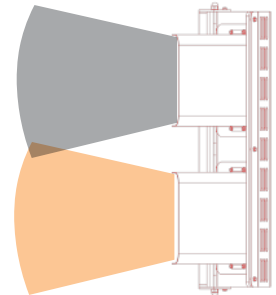
# Apollo High intensity LED elevated runway guard light



## Ordering Codes Apollo



## Beam Options



Apollo  
Uni - directional



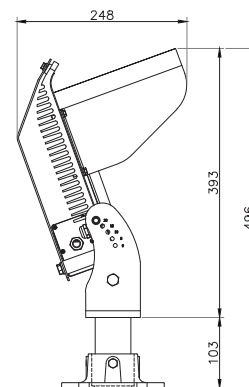
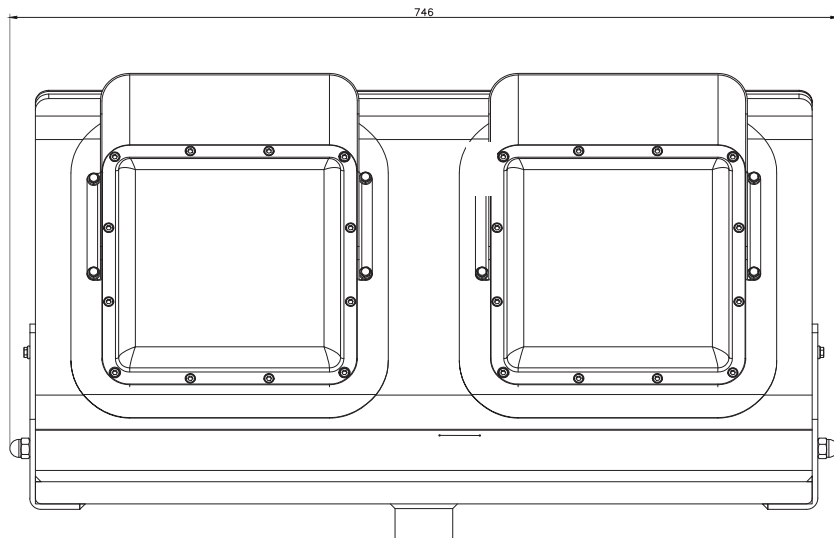
Solid Stem mounting option



low profile frangible bracket mountin option

# Apollo High intensity LED elevated runway guard light

## Dimensions



Fixed Mounting  
Dimensional End View  
Angle Set @ 20°

## Packaging

- ▶ Net weight 15kg
- ▶ Gross weight 28kg (boxed)
- ▶ Box 850mm (L) x 450mm (W) x 400mm (H)



Head Office:

**atg airports Ltd**

Lowton Business Park | Newton Road

Lowton St. Mary's | Warrington

WA3 2AP | United Kingdom



atg airports reserve the right to change technical data and details at any point in time. Errors may have occurred

UK: +44 (0) 1942 68 5555 | USA: 001 (239) 985-9406

[www.atgairports.com](http://www.atgairports.com) [enquiries@atgairports.com](mailto:enquiries@atgairports.com) [sales-usa@atgairports.com](mailto:sales-usa@atgairports.com)

Apollo  
**IR804L**