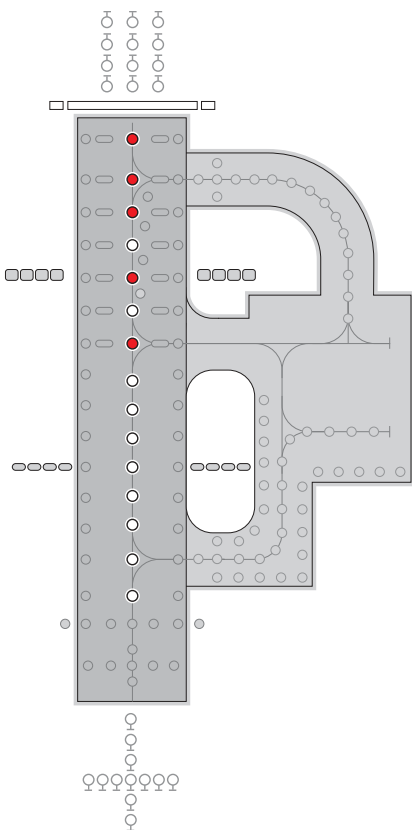


LED technology



# IR850A

LED 8" runway centreline  
high  
intensity lighting  
solutions



## Applications

CAT III all weather operation  
airfield ground lighting (agl)  
systems.

## Compliant with Latest International Standards\*

- ▶ ICAO Annex 14. Vol 1
- ▶ FAA AC 150/5345-46
- ▶ FAA Engineering Brief No. 67
- ▶ IEC 61827
- ▶ EASA
- ▶ Stannag 3316 (NATO)

\* As applicable to the application, compliance with other  
civil aviation and military regulations confirmed on request

# IR850A LED 8" runway centreline high intensity lighting solutions



## Electrical Performance

Main Beam Aperture		Colour	Typical Power Consumption - Watts (VA) @ 6.6A				
Horiz(°)	Vert(°)		Per Beam Watts	Fitting* Watts (VA)	PF	Tx Primary** Watts (VA)	PF
-5 to +5	0 to 9	WHT/WHT	17.11/17.11	51.27 (51.33)	0.999	61.68 (62.16)	0.992
-5 to +5	0 to 9	RED/WHT	4.65/17.11	37.00 (37.16)	0.995	47.94 (48.73)	0.984
-5 to +5	0 to 9	WHT/BLK	17.11/-	27.76 (27.93)	0.993	37.91 (38.85)	0.976
-5 to +5	0 to 9	RED/BLK	4.65/-	13.88 (13.92)	0.995	23.89 (24.68)	0.967

Fixture Operational Current Range: 2.7 to 6.7A RMS

\* as measured at the input leads of the fixture.

\*\* as measured across the primary winding of an appropriately sized isolation transformer with a total fixture and transformer secondary length not exceeding - 1.85m (72").

Note: Isolating transformer shall be suitably sized to accommodate specific secondary and other applicable losses.

For Bi-directional twin lead option use unidirectional electrical performance for each direction.

## Environmental Conditions

- Ambient Temperature -55 °C to +55°C (-67 °F to +131°F)
- Storage Temperature -55 °C to +55°C (-67 °F to +131°F)

Ingress Protection IP67

## Photometry

### Specification

#### Runway Centre Line ICAO Fig A2-7 FAA L-850A

Colour	White
Max/Min Intensity Ratio	<3.0
Main ellipse average intensity	5000 cds
Main ellipse minimum intensity	2500 cds
Second ellipse minimum intensity	500 cds
Third ellipse minimum intensity	250 cds

### Typical Measured Values

Colour	White
Max/Min Intensity Ratio	2.2
Main ellipse average intensity	5800 cds
Main ellipse maximum intensity	7400 cds
Main ellipse minimum intensity	3300 cds
Second ellipse minimum intensity	2300 cds
Third ellipse minimum intensity	1600 cds

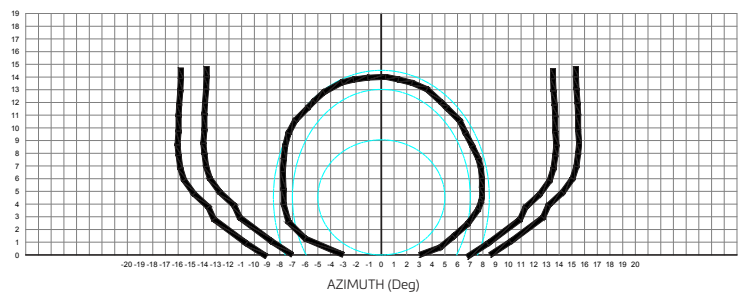
### Specification

Colour	Red
Max/Min Intensity Ratio	<3.0
Main ellipse average intensity	750 cds
Main ellipse minimum intensity	375cds
Second ellipse minimum intensity	75 cds
Third ellipse minimum intensity	37.5 cds

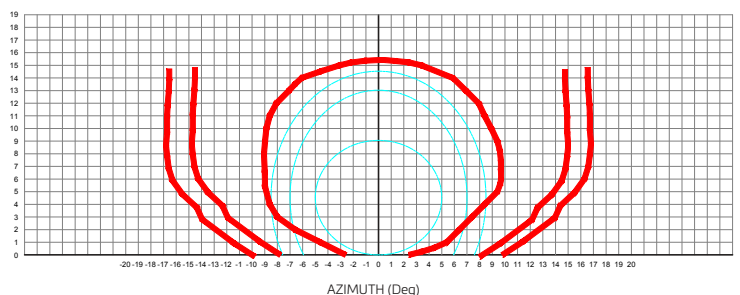
### Typical Measured Values

Colour	Red
Max/Min Intensity Ratio	2.2
Main ellipse average intensity	1050 cds
Main ellipse maximum intensity	1250 cds
Main ellipse minimum intensity	560 cds
Second ellipse minimum intensity	460 cds
Third ellipse minimum intensity	430 cds

Intensity Chart - Runway Centre Line Luminaire - White



Intensity Chart - Runway Centre Line Luminaire - Red



# IR850A LED 8" runway centreline high intensity lighting solutions



## Ordering Codes:



**Application**  
L-850A(L) - Runway Centre Line

**Beam Type**  
**A Side**  
 1 = Straight  
 0 = Blank  
 .....  
**B Side**  
 1 = Straight  
 0 = Blank

**Colour**  
**A Side**  
 W = White  
 R = Red  
 N = Not Applicable  
 .....  
**B Side**  
 W = White  
 R = Red  
 N = Not Applicable

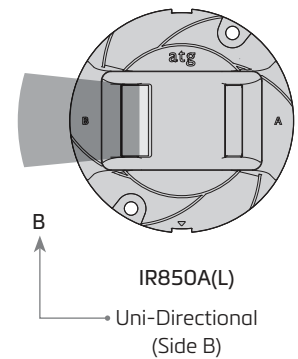
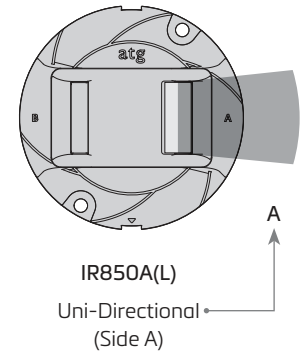
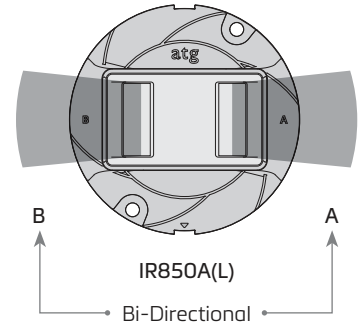
**Specification**  
 1 = FAA  
 2 = ICAO

**Connections**  
 1 = 1 Bi Pin Plug  
 2 = 2 Bi Pin Plug

**Fixture Monitoring - Fail Open Feature**  
 0 = No Open Circuit  
 1 = Open Circuit

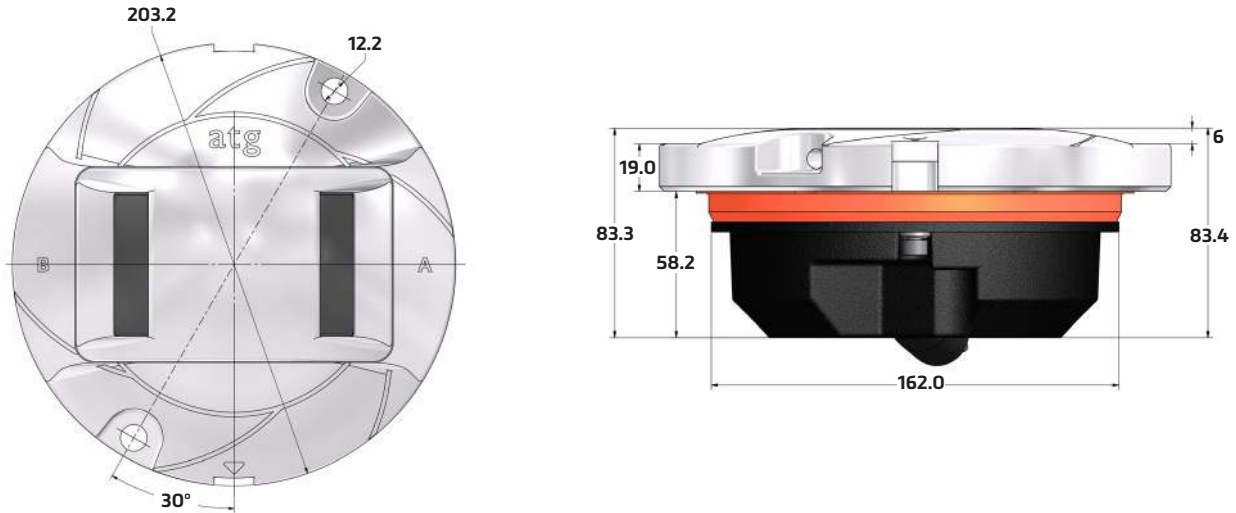
Additional optional features are available upon request

## Beam Options



# IR850A LED 8" runway centreline high intensity lighting solutions

## Dimensions



## Packaging

- ▶ Net weight 3.12Kg
- ▶ Gross weight 3.52Kg (boxed)
- ▶ Box 260mm (L) x 260mm (W) x 175mm (H)

\*Dimensions are nominal



**Head Office:**  
**atg airports Ltd**  
Lowton Business Park | Newton Road  
Lowton St. Mary's | Warrington  
WA3 2AP | United Kingdom



atg airports reserve the right to change technical data and details at any point in time. Errors may have occurred

UK: +44 (0) 1942 68 5555 | USA: 001 (239) 985-9406

www.atgairports.com enquiries@atgairports.com sales-usa@atgairports.com

LED AGL  
L-850A