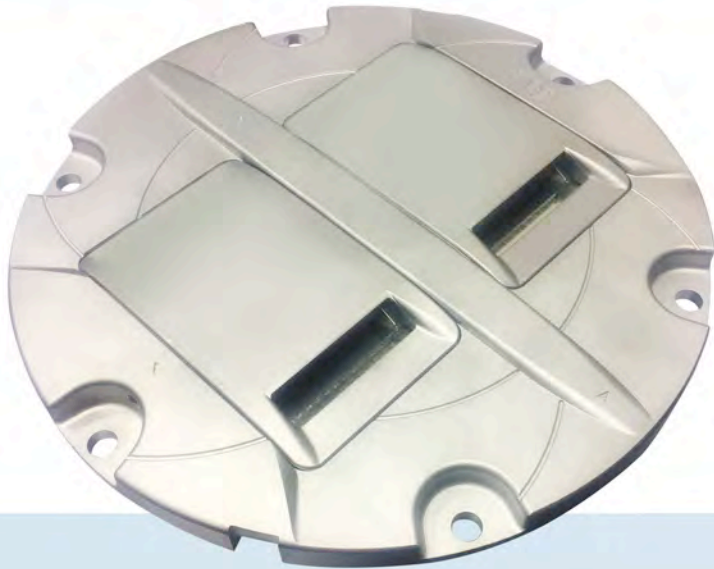


LED technology

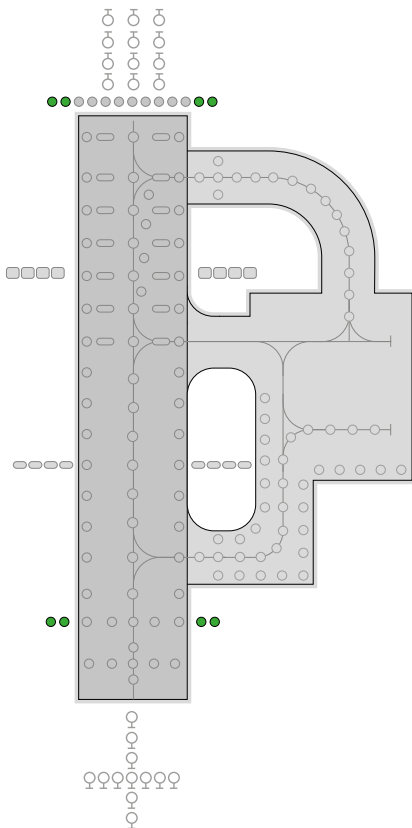


IR850WB

IRIS LED 12" runway
threshold wingbar
high intensity lighting
solutions

Applications

CAT III all weather operation
airfield ground lighting (agl)
systems.



Compliant with Latest International Standards*

- ▶ ICAO Annex 14. Vol 1
- ▶ FAA AC 150/5345-46†
- ▶ FAA Engineering Brief No. 67†
- ▶ IEC 61827
- ▶ EASA
- ▶ Stannag 3316 (NATO)

* As applicable to the application, compliance with other
civil aviation and military regulations confirmed on request

† Electrical/Mechanical/Environmental characteristics only

IR850WB IRIS LED 12" runway threshold wingbar high intensity lighting solutions



Electrical Performance

Main Beam Aperture		Colour	Typical Power Consumption - Watts (VA) @ 6.6A				
Horiz(°)	Vert(°)		Per Beam Watts	Fitting* Watts (VA)	PF	Tx Primary** Watts (VA)	PF
-10 to +10	0.5 to 10.5	GRN/BLK	54/-	89.2 (89.6)	0.99	116.1 (116.9)	0.99

Fixture Operational Current Range: 2.7 to 6.7A RMS

* as measured at the input leads of the fixture.

** as measured across the primary winding of an appropriately sized isolation transformer with a total fixture and transformer secondary length not exceeding - 1.85m (72").

Note: Isolating transformer shall be suitably sized to accommodate specific secondary and other applicable losses.

Environmental Conditions

- ▶ Ambient Temperature -55 °C to +55°C (-67 °F to +131°F)
- ▶ Storage Temperature -55 °C to +55°C (-67 °F to +131°F)
- ▶ Ingress Protection IP67

Photometry

Specification

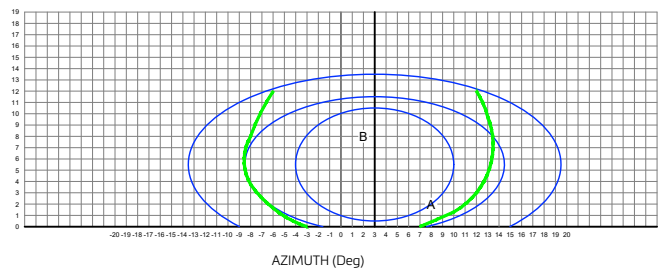
Runway Threshold Wingbar ICAO Fig. A2-4

Colour	Green
Max/Min Intensity ratio	<3.0
Main ellipse average intensity	10000cdfs
Main ellipse minimum intensity	5000cdfs
Second ellipse minimum intensity	1000cdfs
Third ellipse minimum intensity	500cdfs

Typical Measured Values

Colour	Green
Max/Min Intensity ratio	2.34
Main ellipse average intensity	12484cdfs
Main ellipse maximum intensity	17010cdfs
Main ellipse minimum intensity	7298cdfs
Second ellipse minimum intensity	3089cdfs
Third ellipse minimum intensity	823cdfs

Intensity Chart - IRIS Runway Threshold Wingbar Luminaire - Green



UK: +44 (0) 1942 68 5555 | USA: 001 (239) 985-9406

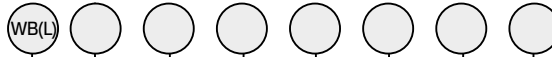
www.atgairports.com | products@atgairports.com | sales-usa@atgairports.com

IRIS LED AGL
IR850WB

IR850WB IRIS LED 12" runway threshold wingbar high intensity lighting solutions



Ordering Codes IR850



Application
IR850WB(L) - Runway
Threshold Wingbar

Beam Type
A Side
3=Toe in right
0=Blank
.....
B Side
2=Toe in left
0=Blank

Colour
A Side
G=Green
0=Blank
.....
B Side
G=Green
0=Blank

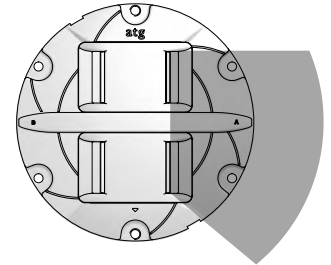
Specification
2 = ICAO

Connections
1 = 1 Bi Pin Plug

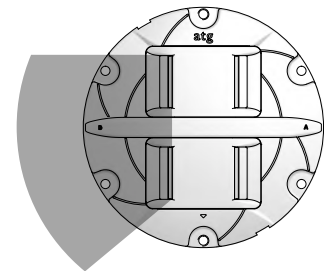
Fixture Monitoring - Fail Open Feature
0 = No Open Circuit
1 = Open Circuit

Additional optional features are available upon request

Beam Options



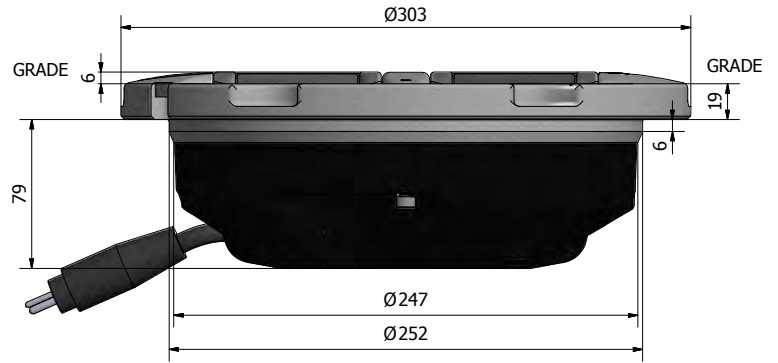
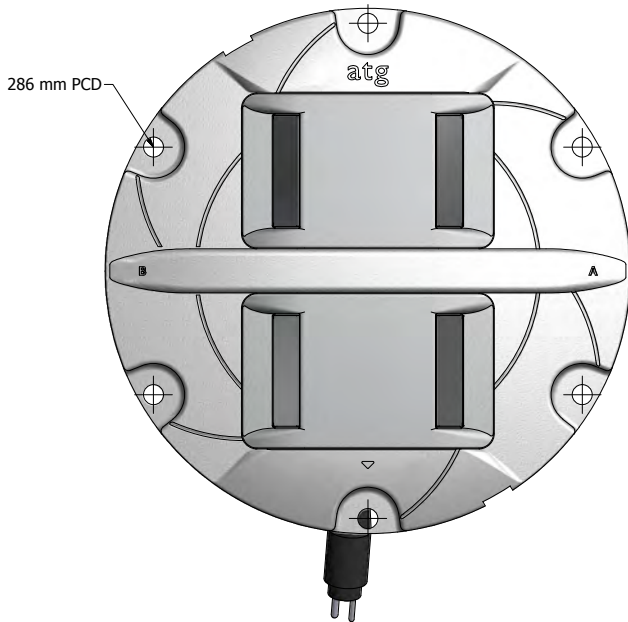
IR850WB(L)
Uni-Directional
(Side A - Toe-in Right)



IR850WB(L)
Uni-Directional
(Side B - Toe-in Left)

IR850WB IRIS LED 12" runway threshold wingbar high intensity lighting solutions

Dimensions



Packaging

- ▶ Net weight 9.3Kg
- ▶ Gross weight 7.6kg (boxed)
- ▶ Box 50mm (W) x 330mm (D) x 330mm (H)

*Dimensions are nominal

Consultants specification and installation information for the Iris range is available by request. Contact marketing@atgairports for further details.

atg airports reserve the right to change technical data and details at any point in time.



atg airports ltd
Lowton Business Park | Newton Road
Lowton St. Mary's | Warrington
WA3 2AP | United Kingdom

atg airports inc
7857 Drew Circle #13
Fort Myers | Florida 33967
USA



UK: +44 (0) 1942 68 5555 | USA: 001 (239) 985-9406

www.atgairports.com | products@atgairports.com | sales-usa@atgairports.com

IRIS LED AGL
IR850WB