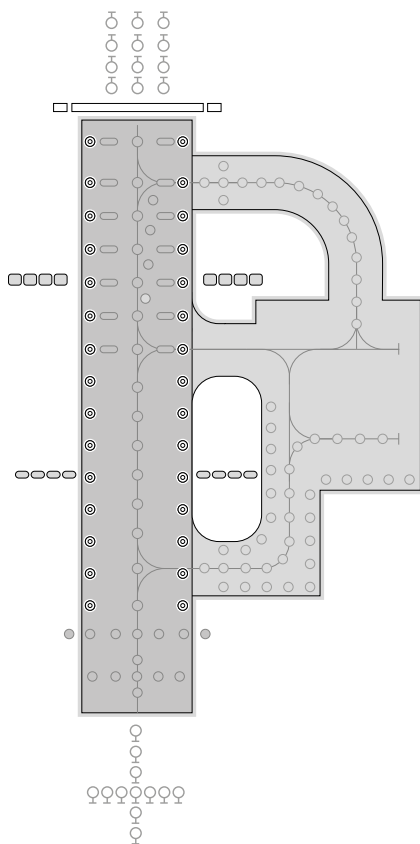


LED technology



# IR909L

IRIS LED 8" omni directional runway edge low intensity lighting solutions



## Applications

Low Intensity airfield ground lighting (agl) systems

## Compliant with Latest International Standards\*

- ▶ CASA MOS Part 139
- ▶ ICAO Annex 14. Vol 1†
- ▶ FAA AC 150/5345-46†
- ▶ FAA Engineering Brief No. 67†
- ▶ IEC 61827†
- ▶ EASA†
- ▶ Stannag 3316 (NATO)†

\* As applicable to the application, compliance with other civil aviation and military regulations confirmed on request

† Electrical/Mechanical/Environmental characteristics only

📞 UK: +44 (0) 1942 68 5555 | USA: 001 (239) 985-9406

🌐 [www.atgairports.com](http://www.atgairports.com) ✉ [products@atgairports.com](mailto:products@atgairports.com) ✉ [sales-usa@atgairports.com](mailto:sales-usa@atgairports.com)

IRIS LED AGL  
**IR909L**

# IR909L IRIS LED 8" omni directional runway edge low intensity lighting solutions



## Electrical Performance

Main Beam Aperture		Colour	Typical Power Consumption - Watts (VA) @ 6.6A				
Horiz(°)	Vert(°)		Per Beam Watts	Fitting* Watts (VA)	PF	Tx Primary** Watts (VA)	PF
0 to 359	0 to 7	WHT	7.5	18.9 (19.4)	0.975	21.8 (22.8)	0.953

Fixture Operational Current Range: 6.5 to 6.7A RMS

**Notes:** Isolating transformer shall be suitably sized to accommodate specific secondary and other applicable losses.

\* as measured at the input leads of the fixture.

\*\* as measured across the primary winding of an appropriately sized isolation transformer with a total fixture and transformer secondary length not exceeding - 1.85m (72"). CCR shall be suitably sized for the indicated transformer VA for the relevant isolating transformer utilised.

## Environmental Conditions

- ▶ Ambient Temperature -55 °C to +55°C (-67 °F to +131°F)
- ▶ Storage Temperature -55°C to +55°C (-67 °F to +131°F)
- ▶ Ingress Protection IP67

## Photometry

### Specification

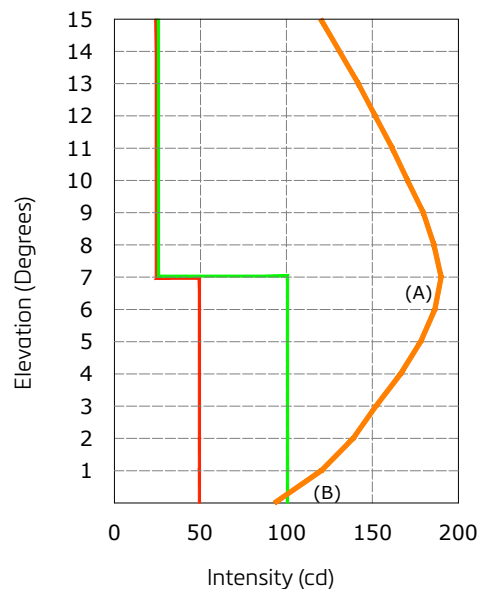
Low Intensity Runway Edge MOS Part 139 - Para. 9.10.6 - Fig. 9.11.1

Colour	White
Max/Min Intensity ratio	<3.0
Main rect. average intensity range	100-200 cds
Main rect. minimum intensity range	50-100 cds
Second rect. minimum intensity	25 cds

### Typical Measured Values

Colour	White
Max/Min Intensity ratio	2.9
Main rect. average intensity	121.3 cds
Main rect. maximum intensity (A)	183 cds
Main rect. minimum intensity (B)	62.6 cds
Second rect. minimum intensity	116.4 cds

Intensity Chart - Iris Low Intensity Runway Edge. White



- IR909L - Performance @ 6.6A
- MOS139 Runway Edge Low Intensity: Fig 9.11-1 Minimum Individual Intensity (50cds)
- MOS139 Runway Edge Low Intensity: Fig 9.11-1 Minimum Average Intensity (100cds)

UK: +44 (0) 1942 68 5555 | USA: 001 (239) 985-9406

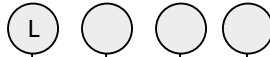
www.atgairports.com | products@atgairports.com | sales-usa@atgairports.com

IRIS LED AGL  
IR909L

# IR909L IRIS LED 8" omni directional runway edge low intensity lighting solutions



## Ordering Codes IR909



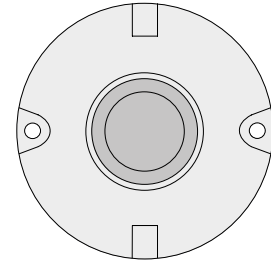
**Application**  
Low intensity omni runway edge

**Beam Type**  
7 = Omni directional (360°)

**Colour**  
W = White

**Specification**  
3 = MOS139

## Beam Options



IR909L  
Omni Directional 360°

UK: +44 (0) 1942 68 5555 | USA: 001 (239) 985-9406

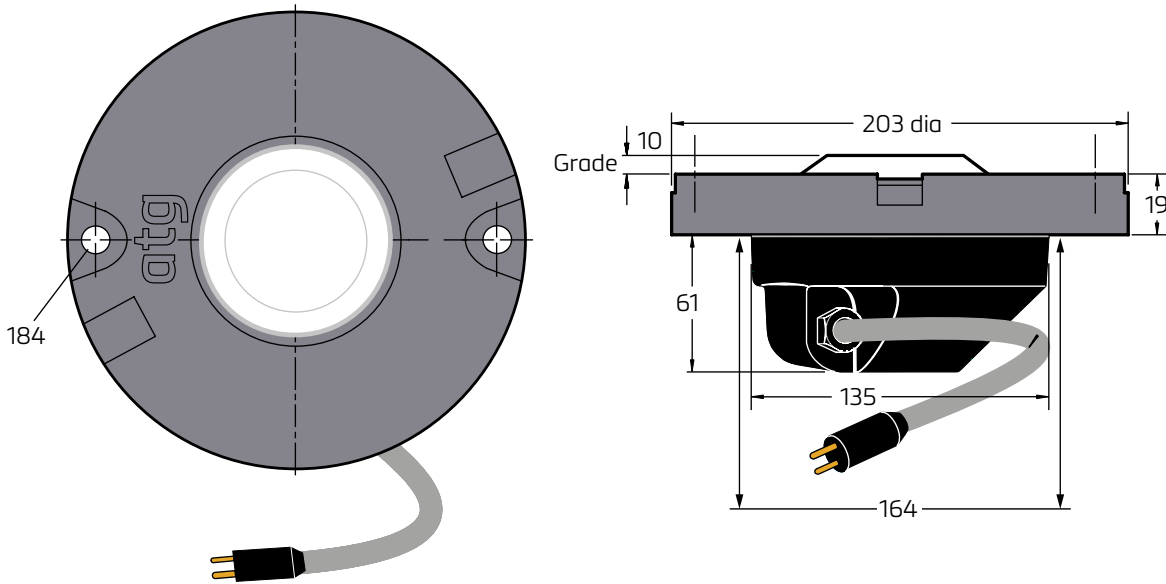
[www.atgairports.com](http://www.atgairports.com) [products@atgairports.com](mailto:products@atgairports.com) [sales-usa@atgairports.com](mailto:sales-usa@atgairports.com)

IRIS LED AGL  
IR909L

# IR909L IRIS LED 8" omni directional runway edge low intensity lighting solutions



## Dimensions



## Packaging

- ▶ Net weight 3kg
- ▶ Gross weight 3.5kg
- ▶ Box 230mm(w) x 230mm(d) x 146mm(h)

\*Dimensions are nominal

Consultants specification and installation information for the Iris range is available by request. Contact [marketing@atgairports](mailto:marketing@atgairports) for further details.

atg airports reserve the right to change technical data and details at any point in time. Errors may have occurred



**atg airports ltd**  
Lowton Business Park | Newton Road  
Lowton St. Mary's | Warrington  
WA3 2AP | United Kingdom

**atg airports inc**  
7857 Drew Circle #13  
Fort Myers | Florida 33967  
USA



UK: +44 (0) 1942 68 5555 | USA: 001 (239) 985-9406

[www.atgairports.com](http://www.atgairports.com) | [products@atgairports.com](mailto:products@atgairports.com) | [sales-usa@atgairports.com](mailto:sales-usa@atgairports.com)

IRIS LED AGL  
IR909L