

LED technology

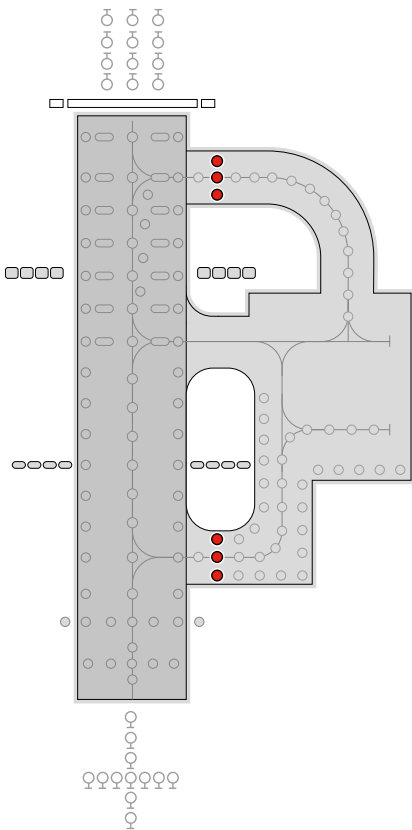


# IR852SO

IRIS LED 8" taxiway stopbar, straight sections (offset), high intensity lighting solutions

## Applications

CAT III all weather operation airfield ground lighting (agl) systems.



## Certified to Latest International Standards\*

- ▶ ICAO Annex 14. Vol 1
- ▶ FAA AC150 5345 46†
- ▶ FAA Engineering Brief 67†
- ▶ IEC61827
- ▶ EASA Stannag 3316 (NATO)

\* As applicable to the application, compliance with other civil aviation and military regulations confirmed on request

† Electrical/Mechanical/Environmental characteristics only

# IR852SO IRIS LED 8" taxiway stopbar, straight sections (offset), high intensity lighting solutions



## Electrical Performance

| Main Beam Aperture |         | Colour  | Typical Power Consumption - Watts (VA) @ 6.6A |                        |       |                            |       |
|--------------------|---------|---------|---|------------------------|-------|----------------------------|-------|
| Horiz(°)           | Vert(°) |         | Per Beam Watts                                | Fitting*<br>Watts (VA) | PF    | Tx Primary**<br>Watts (VA) | PF    |
| -10 to 10          | 1 to 8  | RED/RED | 5.34/5.34                                     | 24.74 (24.77)          | 0.996 | 35.11 (35.66)              | 0.985 |
| -10 to 10          | 1 to 8  | RED/BLK | 5.34/-  | 14.63 (14.71)          | 0.991 | 25.00 (25.79)              | 0.969 |

Fixture Operational Current Range: 2.7 to 6.7A RMS

\* as measured at the input leads of the fixture.

\*\* as measured across the primary winding of an appropriately sized isolation transformer with a total fixture and transformer secondary length not exceeding - 1.85m (72").

**Notes:** For Bi-Directional twin lead option use Red/Blank electrical performance .  
Isolating transformer shall be suitably sized to accommodate specific secondary and other applicable losses.  
For Bi-directional twin lead option use unidirectional electrical performance for each direction.

## Environmental Conditions

- ▶ Ambient Temperature -55 °C to +55°C (-67 °F to +131°F)
- ▶ Storage Temperature -55°C to +55°C (-67 °F to +131°F)
- ▶ Ingress Protection IP67

## Photometry

### Specification

#### Taxiway stopbar - straight (offset) ICAO Fig. A2-12

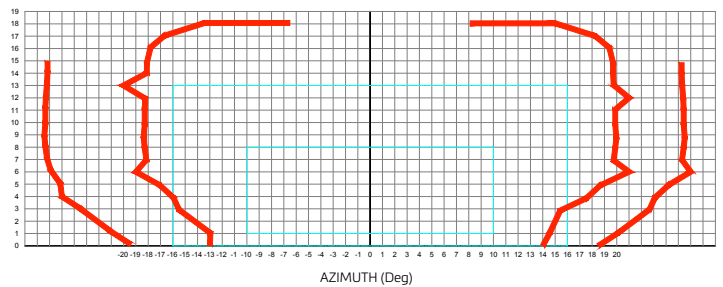
|                                |         |
|--------------------------------|---------|
| Colour                         | Red     |
| Max/Min Intensity Ratio        | <3.0    |
| Main rect. average intensity   | 200 cds |
| Main rect. minimum intensity   | 100 cds |
| Second rect. minimum intensity | 20 cds  |

### Typical Measured Values

#### Taxiway stopbar - straight (offset) ICAO Fig. A2-12

|                                  |         |
|----------------------------------|---------|
| Colour                           | Red     |
| Max/Min Intensity Ratio          | 2.3     |
| Main rect. average intensity     | 452 cds |
| Main rect. maximum intensity (A) | 563 cds |
| Main rect. minimum intensity (B) | 245 cds |
| Second rect. minimum intensity   | 115 cds |

Intensity Chart - IRIS Stopbar (Straight/Offset)



UK: +44 (0) 1942 68 5555 | USA: 001 (239) 985-9406

www.atgairports.com | products@atgairports.com | sales-usa@atgairports.com

IRIS LED AGL  
L-852SO

# IR852SO IRIS LED 8" taxiway stopbar, straight sections (offset), high intensity lighting solutions



## Ordering Codes IR852S



**Application**  
L-852SO(L) Stopbar - Straight (offset)

**Beam Type**  
**A Side**  
 6 = Straight (Offset)  
 0 = Blank  
 .....  
**B Side**  
 6 = Straight (Offset)  
 0 = Blank

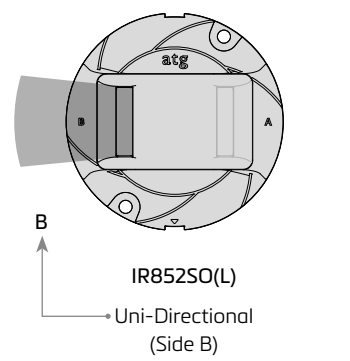
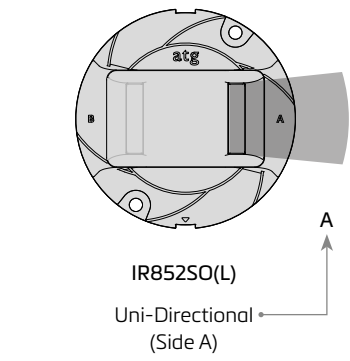
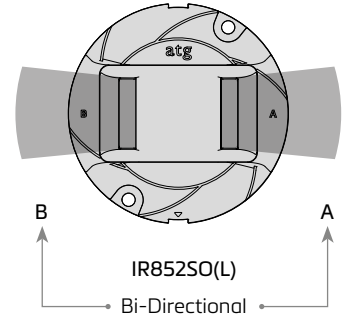
**Colour**  
**A Side**  
 R = Red  
 N = Not Applicable  
 .....  
**B Side**  
 R = Red  
 N = Not Applicable

**Specification**  
1 = ICAO

**Connections**  
 1 = 1 Plug Bi Pin  
 2 = 2 Plug Bi Pin

**Fixture Monitoring - Fail Open Feature**  
 0 = No Open Circuit  
 1 = Open Circuit

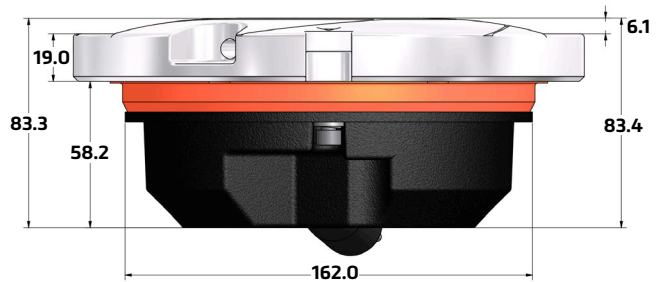
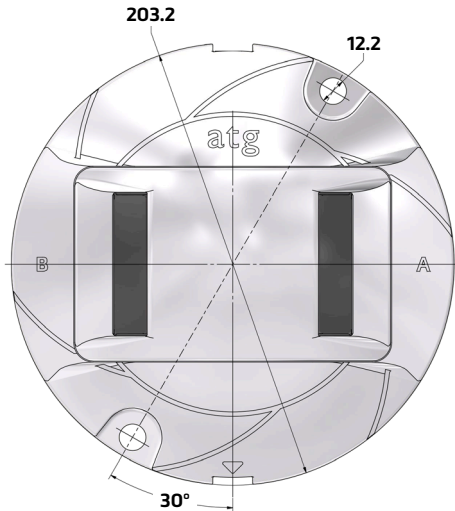
## Beam Options



Additional optional features are available upon request

# IR852SO IRIS LED 8" taxiway stopbar, straight sections (offset), high intensity lighting solutions

## Dimensions



## Packaging

- ▶ Net weight 3.12Kg
- ▶ Gross weight 3.52 (boxed)
- ▶ Box 260mm (L) x 260mm (W) x 175mm (H)

\*Dimensions are nominal

Consultants specification and installation information for the Iris range is available by request. Contact [marketing@atgairports](mailto:marketing@atgairports) for further details.



**atg airports ltd**  
Lowton Business Park | Newton Road  
Lowton St. Mary's | Warrington  
WA3 2AP | United Kingdom

**atg airports inc**  
7857 Drew Circle #11  
Fort Myers | Florida 33967  
USA



UK: +44 (0) 1942 68 5555 | USA: 001 (239) 985-9406

[www.atgairports.com](http://www.atgairports.com) | [products@atgairports.com](mailto:products@atgairports.com) | [sales-usa@atgairports.com](mailto:sales-usa@atgairports.com)

IRIS LED AGL  
L-852SO