

LED technology

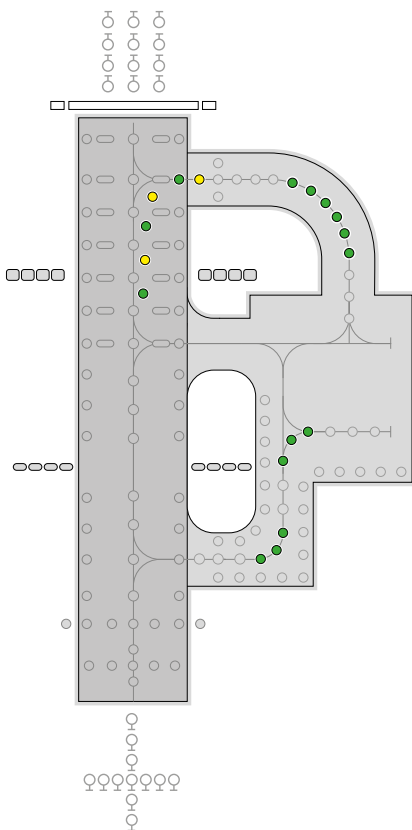


IR852K

IRIS LED 8" taxiway centre line, curved sections, high intensity lighting solutions

Applications

CAT III all weather operation airfield ground lighting (agl) systems.



Compliant with Latest International Standards*

- ▶ ICAO Annex 14. Vol 1
- ▶ FAA AC 150/5345-46
- ▶ FAA Engineering Brief No. 67
- ▶ IEC 61827
- ▶ EASA
- ▶ Stannag 3316 (NATO)

* As applicable to the application, compliance with other civil aviation and military regulations confirmed on request

📞 UK: +44 (0) 1942 68 5555 | USA: 001 (239) 985-9406

🌐 www.atgairports.com ✉ products@atgairports.com ✉ sales-usa@atgairports.com

IRIS LED AGL
L-852K

IR 852K IRIS LED 8" taxiway centre line, curved sections, high intensity lighting solutions



Electrical Performance

Main Beam Aperture		Colour	Typical Power Consumption - Watts (VA) @ 6.6A				
Horiz(°)	Vert(°)		Per Beam Watts	Fitting* Watts (VA)	PF	Tx Primary** Watts (VA)	PF
-3.5 to +35	1 to 10	GRN/GRN	8.08/8.08	30.10 (30.21)	0.997	40.37 (40.85)	0.988
-3.5 to +35	1 to 10	YEL/YEL	6.92/6.92	28.13 (28.25)	0.997	38.52 (39.04)	0.987
-3.5 to +35	1 to 10	GRN/YEL	8.08/6.92	29.30 (29.32)	0.997	39.68 (40.17)	0.988
-3.5 to +35	1 to 10	GRN/BLK	8.08/-	17.25 (17.31)	0.996	27.83 (28.67)	0.971
-3.5 to +35	1 to 10	YEL/BLK	6.92/-	16.62 (16.69)	0.997	27.23 (28.05)	0.971

Fixture Operational Current Range: 2.7 to 6.7A RMS

* as measured at the input leads of the fixture.

** as measured across the primary winding of an appropriately sized isolation transformer with a total fixture and transformer secondary length not exceeding ~ 1.85m (72").

Note: Isolating transformer shall be suitably sized to accommodate specific secondary and other applicable losses.

For Bi-directional twin lead option use unidirectional electrical performance for each direction.

Environmental Conditions

- ▶ Ambient Temperature -55 °C to +55°C (-67 °F to +131°F)
- ▶ Storage Temperature -55°C to +55°C (-67 °F to +131°F)

▶ Ingress Protection IP67

Photometry

Specification

Taxiway Centre Line Curved ICAO Fig 2.14 FAA L-852K

Colour	Green
Max/Min Intensity Ratio	<3.0
Main rect. average intensity	100 cds
Main rect. minimum intensity	50 cds
Second rect. minimum intensity	10 cds

Typical Measured Values

Colour	Green
Max/Min Intensity Ratio	3.0
Main rect. average intensity	116cds
Main rect. maximum intensity (A)	156 cds
Main rect. minimum intensity (B)	52 cds
Second rect. minimum intensity	52 cds

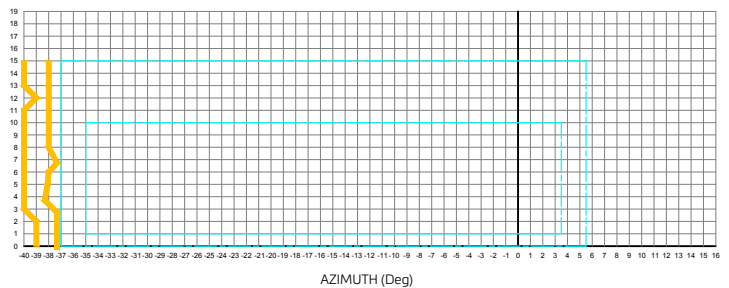
Specification

Colour	Yellow
Max/Min Intensity Ratio	<3.0
Main rect. average intensity	100 cds
Main rect. minimum intensity	50 cds
Second rect. minimum intensity	10 cds

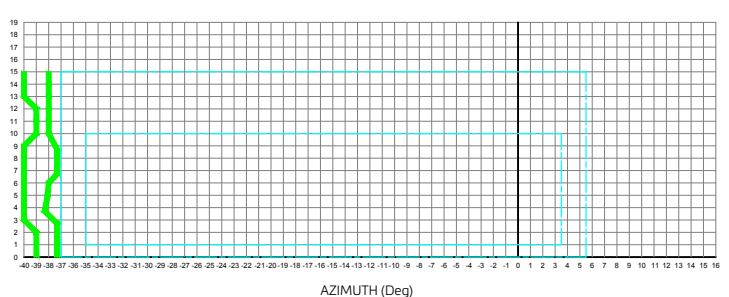
Typical Measured Values

Colour	Yellow
Max/Min Intensity Ratio	8.0
Main rect. average intensity	184 cds
Main rect. maximum intensity (A)	255 cds
Main rect. minimum intensity (B)	85 cds
Second rect. minimum intensity	35 cds

Intensity Chart - IRIS Taxiway Centreline Luminaire (toe-in right) Yellow



Intensity Chart - IRIS Taxiway Centreline Luminaire (toe-in left) Green



UK: +44 (0) 1942 68 5555 | USA: 001 (239) 985-9406

www.atgairports.com | products@atgairports.com | sales-usa@atgairports.com

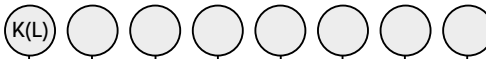
IRIS LED AGL
L-852K

IR 852K

IRIS LED 8" taxiway centre line, curved sections, high intensity lighting solutions



Ordering Codes IR852



Application
L-852K(L) Taxiway Centreline
Curved Sections

Beam Type
A Side
3 = Toe in right
0 = Blank
.....
B Side
2 = Toe in left
0 = Blank

Colour
A Side
G = Green
Y = Yellow
C = Cyan/Green
N = Not Applicable
.....
B Side
G = Green
Y = Yellow
C = Cyan/Green
N = Not Applicable

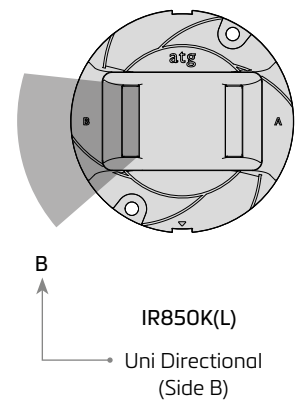
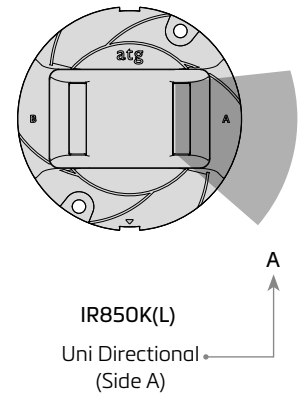
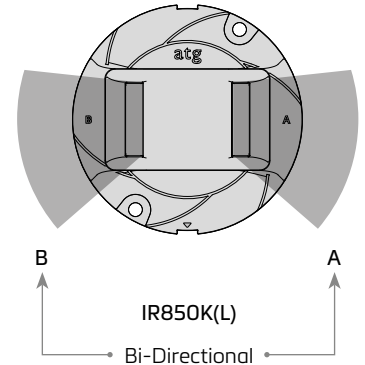
Specification
1 = FAA
2 = ICAO

Connections
1 = 1 Plug Bi Pin
2 = 2 Plug Bi Pin

Fixture Monitoring - Fail Open Feature
0 = No Open Circuit
1 = Open Circuit

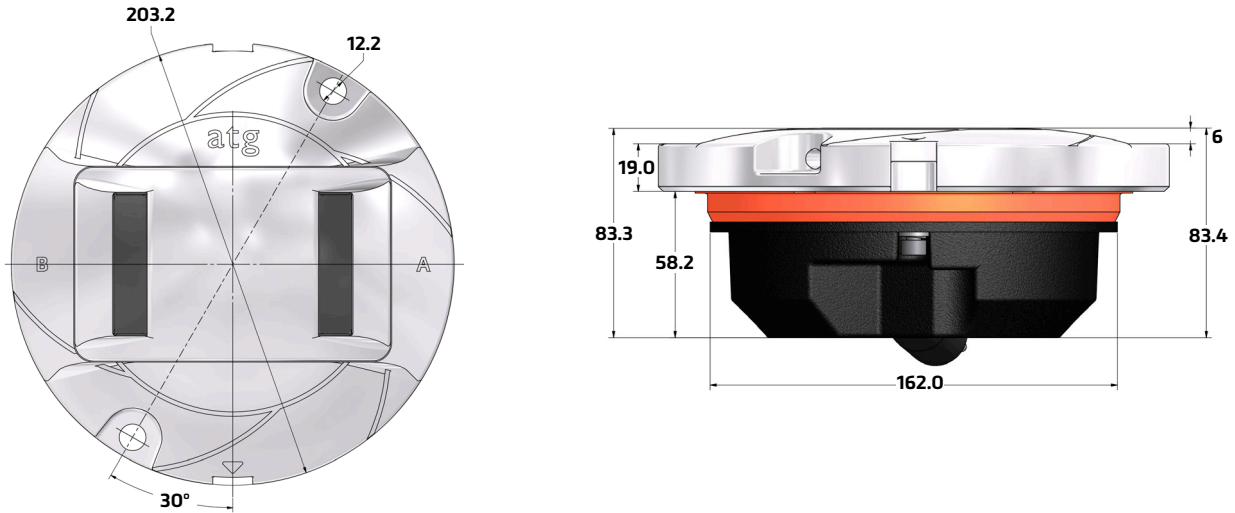
Additional optional features are available upon request

Beam Options



IR 852K IRIS LED 8" taxiway centre line, curved sections, high intensity lighting solutions

Dimensions



Packaging

- ▶ Net weight 3.12Kg
- ▶ Gross weight 3.52Kg (boxed)
- ▶ Box 260mm (L) x 260mm (W) x 175mm (H)

*Dimensions are nominal

Consultants specification and installation information for the Iris range is available by request. Contact marketing@atgairports for further details.

atg airports reserve the right to change technical data and details at any point in time. Errors may have occurred



atg airports ltd
Lowton Business Park | Newton Road
Lowton St. Mary's | Warrington
WA3 2AP | United Kingdom

atg airports inc
7857 Drew Circle #13
Fort Myers | Florida 33967
USA



UK: +44 (0) 1942 68 5555 | USA: 001 (239) 985-9406

www.atgairports.com | products@atgairports.com | sales-usa@atgairports.com

IRIS LED AGL
L-852K