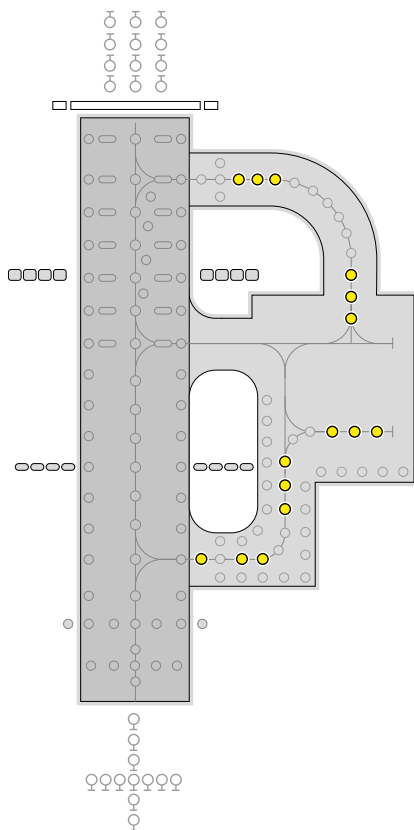


LED technology



IR8520

IRIS LED 8" taxiway centre line high intensity lighting solutions, straight sections (offset)



Applications

CAT III all weather operation airfield ground lighting (agl) systems.

Compliant with Latest International Standards*

- ▶ ICAO Annex 14. Vol 1
- ▶ FAA AC 150/5345-46
- ▶ FAA Engineering Brief No. 67
- ▶ IEC 61827
- ▶ EASA
- ▶ Stannag 3316 (NATO)

* As applicable to the application, compliance with other civil aviation and military regulations confirmed on request

IR8520 IRIS LED 8" taxiway centre line high intensity lighting solutions, straight sections (offset)



Electrical Performance

Main Beam Aperture		Colour	Typical Power Consumption - Watts (VA) @ 6.6A				
Horiz(°)	Vert(°)		Per Beam Watts	Fitting* Watts (VA)	PF	Tx Primary** Watts (VA)	PF
-10 to +10	1 to 8	GRN/GRN	2.03/2.03	14.99 (15.12)	0.992	23.85 (24.70)	0.967
-10 to +10	1 to 8	YEL/YEL	2.54/2.54	15.76 (15.88)	0.992	24.70 (25.50)	0.969
-10 to +10	1 to 8	GRN/YEL	2.03/2.54	15.33 (15.46)	0.992	24.34 (25.16)	0.967
-10 to +10	1 to 8	GRN/BLK	2.03/-	11.77 (11.82)	0.996	20.47 (21.24)	0.964
-10 to +10	1 to 8	YEL/BLK	2.54/-	11.63 (11.68)	0.996	20.45 (21.20)	0.963

* as measured at the input leads of the fixture.

** as measured across the primary winding of an appropriately sized isolation transformer with a total fixture and transformer secondary length not exceeding - 1.85m (72").

Note: Isolating transformer shall be suitably sized to accommodate specific secondary and other applicable losses.

Environmental Conditions

- ▶ Ambient Temperature -55 °C to +55°C (-67 °F to +131°F)
- ▶ Storage Temperature -55°C to +55°C (-67 °F to +131°F)

▶ Ingress Protection IP67

Photometry

Specification

Taxiway Centreline ICAO Fig 2.12

Colour	Green
Max/Min Intensity Ratio	<3.0
Main rect. average intensity	200 cds
Main rect. minimum intensity	100 cds
Second rect. minimum intensity	20 cds

Typical Measured Values

Colour	Green
Max/Min Intensity Ratio	2.49
Main rect. average intensity	304 cds
Main rect. maximum intensity (A)	401 cds
Main rect. minimum intensity (B)	161 cds
Second rect. minimum intensity	115 cds

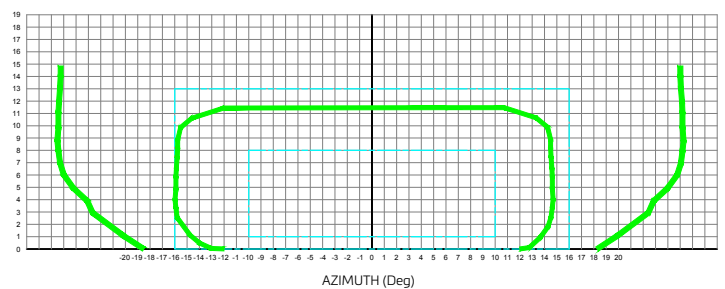
Specification

Colour	Yellow
Max/Min Intensity Ratio	<3.0
Main rect. average intensity	200 cds
Main rect. minimum intensity	100 cds
Second rect. minimum intensity	20 cds

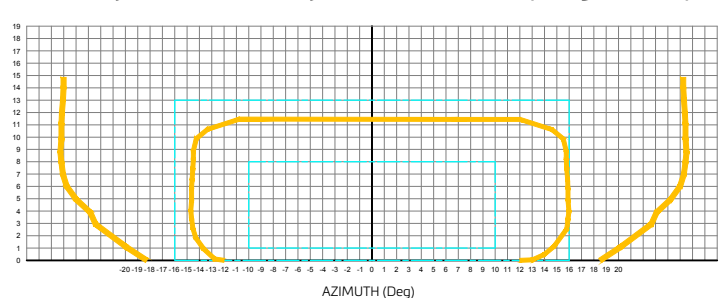
Typical Measured Values

Colour	Yellow
Max/Min Intensity Ratio	2.57
Main rect. average intensity	279 cds
Main rect. maximum intensity (A)	380 cds
Main rect. minimum intensity (B)	147 cds
Second rect. minimum intensity	88 cds

Intensity Chart - IRIS Taxiway Centreline Luminaire (Straight/Offset)



Intensity Chart - IRIS Taxiway Centreline Luminaire (Straight/Offset)



UK: +44 (0) 1942 68 5555 | USA: 001 (239) 985-9406

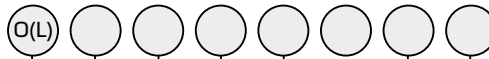
www.atgairports.com | products@atgairports.com | sales-usa@atgairports.com

IRIS LED AGL
L-8520

IR8520 IRIS LED 8" taxiway centre line high intensity lighting solutions, straight sections (offset)



Ordering Codes IR852



Application
L-8520(L) Taxiway Centre Line
Straight (Offset)

Beam Type
A Side
6 = Straight (Offset)
0 = Blank
.....
B Side
6 = Straight (Offset)
0 = Blank

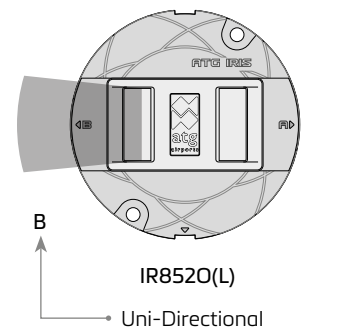
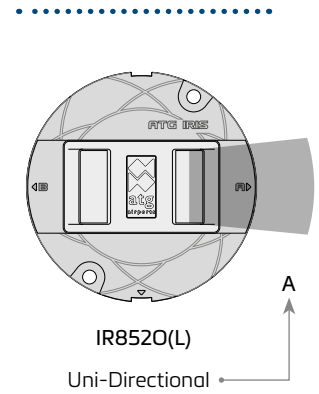
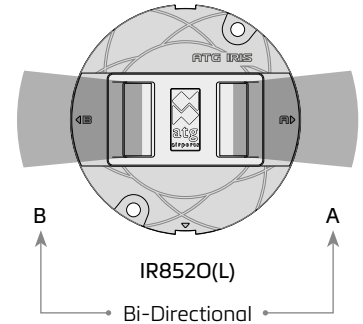
Colour
A Side
G = Green
Y = Yellow
C = Cyan/Green
N = Not Applicable
.....
B Side
G = Green
Y = Yellow
C = Cyan/Green
N = Not Applicable

Specification
1 = ICAO

Connections
1 = 1 Plug Bi Pin
2 = 2 Plug Bi Pin

Open Circuit (Fail Open) Feature
0 = No Open Circuit
1 = Open Circuit

Beam Options



Additional optional features are available upon request

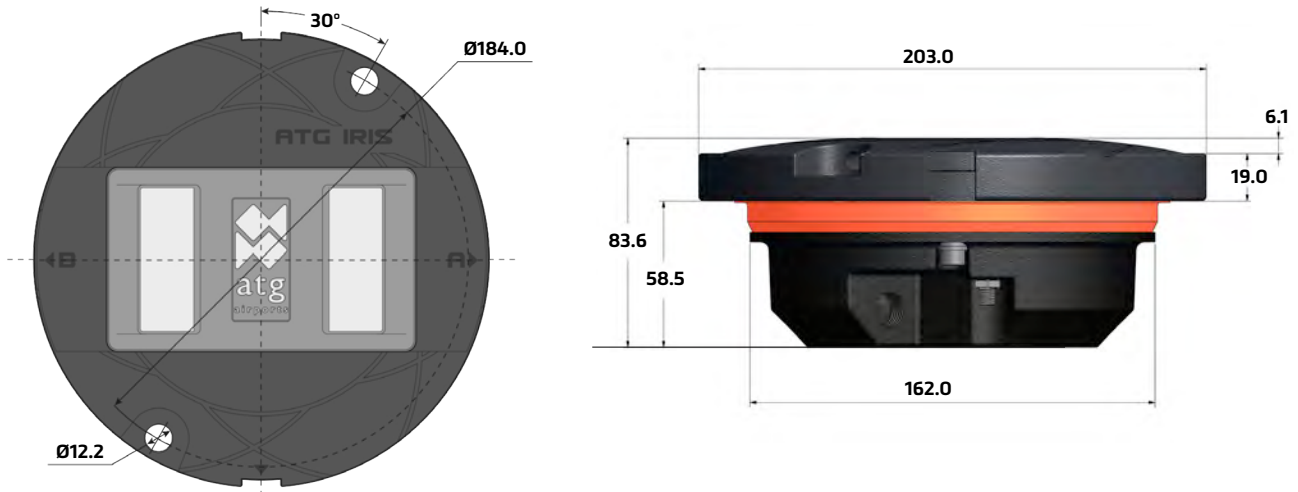
UK: +44 (0) 1942 68 5555 | USA: 001 (239) 985-9406

www.atgairports.com | products@atgairports.com | sales-usa@atgairports.com

IRIS LED AGL
L-8520

IR8520 IRIS LED 8" taxiway centre line high intensity lighting solutions, straight sections (offset)

Dimensions



Packaging

- ▶ Net weight 3.12Kg
- ▶ Gross weight 3.52Kg (boxed)
- ▶ Box 260mm (L) x 260mm (W) x 175mm (H)

*Dimensions are nominal

Consultants specification and installation information for the Iris range is available by request. Contact marketing@atgairports for further details.

atg airports reserve the right to change technical data and details at any point in time. Errors may have occurred



atg airports ltd
Lowton Business Park | Newton Road
Lowton St. Mary's | Warrington
WA3 2AP | United Kingdom

atg airports inc
7857 Drew Circle #11
Fort Myers | Florida 33967
USA



UK: +44 (0) 1942 68 5555 | USA: 001 (239) 985-9406

www.atgairports.com | products@atgairports.com | sales-usa@atgairports.com

IRIS LED AGL
L-8520(L)