

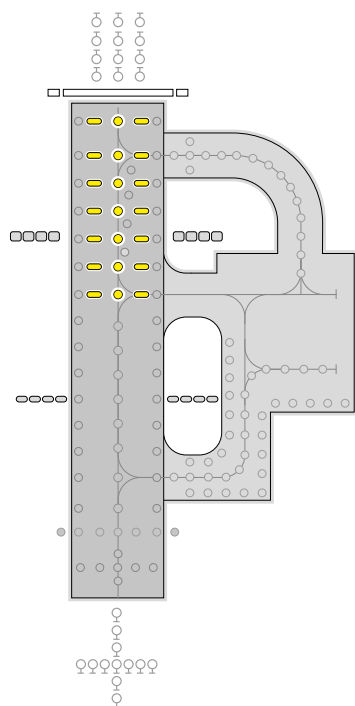
Tungsten halogen technology



ZA484

Runway Centreline & TDZ

High intensity bi/unidirectional
inset fitting



Features

- Lightweight and robust due to its aluminium alloy construction
- Components that are common with ZA181 and ZA280 series
- Long life halogen lamps with a typical life of 1500 hours at full intensity or over 3500 hours in normal usage
- Bi-directional Runway Centreline utilises 2 x 48W lamps
- Standard adaptor rings to suit 15", 15.5" bases
- Prism removal and replacement achieved without the need for adhesive or sealants
- Colour beam variations achieved by dichroic coating
- Lamp bypass options available when required
- Pre-focused optics to simplify maintenance procedures
- Light channel within 5mm of grade
- Plug for pressure testing
- Low temperature - temperature at centre of top cover remains below 160°C ICAO and FAA limit
- All fasteners are stainless steel
- IMM available on request

Compliance with standards

- ICAO Annex 14
- FAA AC150/5345-46D, L-850A,B,C, D, E Class I & IIB
- NATO STANAG 3316
- CAA CAP168
- Transport Canada
- MOS139
- EASA NPA2010-20 (BIII) U11

Application

Uni or bi-directional inset fitting suitable for use in category I, II and III all weather operation as:

- Runway centreline
- TDZ fitting

Options

- ZM480 seating pot (wet)
- ZM480 seating pot (dry)
- PSA & FAA adaptors
- ZS023 sighting device
- ZM500/4 lifting handle
- ZM480 installation jig

UK: +44 (0) 1942 68 5555 | USA: 001 (239) 985-9406

www.atgairports.com | products@atgairports.com | sales-usa@atgairports.com

ZA484

Electrical supply

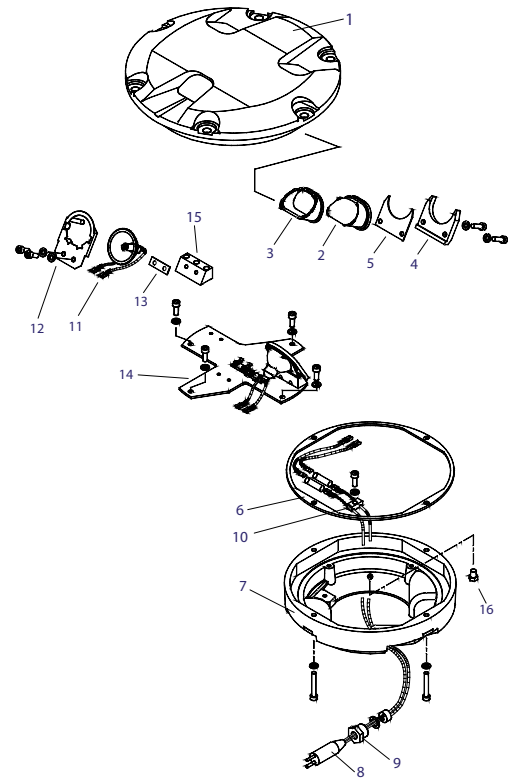
Suitable for use in 6.6A airfield lighting circuits normally supplied from 45W, 65, 100W, 200W or 300W isolating transformers.

Packaging data

Net weight	9.3kg
Gross weight	10kg
Carton size	50mm(w) x 330mm(d) x 330mm(h)

Components

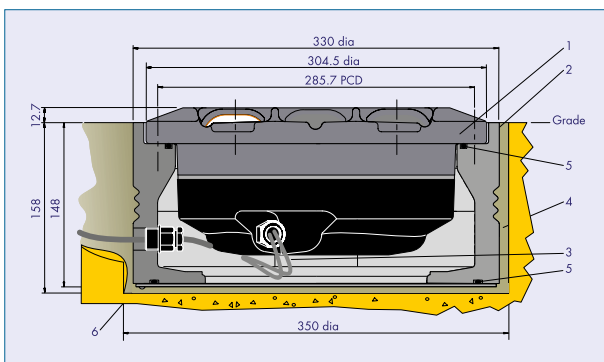
1	Body casting uni-directional or bi-directional	Not Saleable
2	Clear prism or red prism or blank for prism aperture	SLC16069 SLC19141 SLC40092
3	Prism gasket	SLC33075
4	Prism clamp	SLC32037
5	Prism clamp gasket	SLC33069
6	Bottom cover gasket	SLC33076
7	Bottom cover casting (single lead) or bottom cover casting (twin lead) or bottom cover casting (three lead)	Not Saleable Not Saleable SLC40114
8	'B' type plug lead	SLC13026
9	Cable gland assembly	SLC21282/3/4
10	Cable clamp	SLC21281
11	Reflector lamp 105W	SLC08075
12	Spring Finger Lampholder	SLC32040
13	PTFE Damper	SLC32039
14	Mounting plates: Runway edge Threshold (LHT), runway end Threshold (RHT), runway end	SLC21280 SLC21287 SLC21286
15	Lampholder support block	SLC21285
16	Pressure test plug	SLC21256



Typical installation methods

- In a 12" dia seating pot, atg airports ltd type ZM480

ZA484 Installed in ZM480 Seating Pot (dry version)

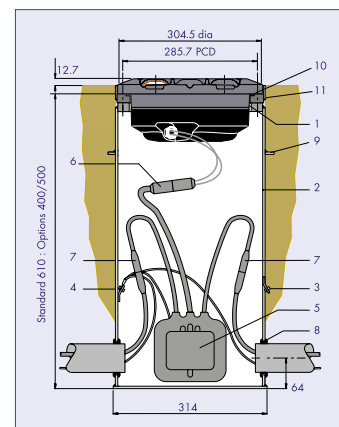


- | | |
|-------------------------|----------------|
| 1. ZA484 Fitting | 4. Grout |
| 2. ZM480 Seating Pot | 5. 'O' Ring |
| 3. Secondary Connection | 6. Cable Gland |

Note ZM480 Wet seating pot arrangement information available on request.

- In a 12" FAA L-868 Base

ZA484 Installed on FAA L-868 Base



- | | |
|------------------------------------|-----------------------|
| 1. ZA484 Fitting | 7. Primary connection |
| 2. FAA L-868 Base (one piece) | 8. Grommet |
| 3. Outer earth terminal (optional) | 9. Anchor ring |
| 4. Inner earth terminal (optional) | 10. 'O' Ring |
| 5. Isolating transformer | 11. Dam ring |
| 6. Secondary connection | |

UK: +44 (0) 1942 68 5555 | USA: 001 (239) 985-9406

www.atgairports.com | products@atgairports.com | sales-usa@atgairports.com

ZA484

Specification

ZA484 - runway centreline and TDZ inset high intensity light shall comply with ICAO Annex 14 figs 2.5, 2.6 and 2.7 and FAA L-850A and B for use in category I, II and III all weather operations.

Fitting shall be of modular design with the main casting manufactured in aluminium alloy, suitably protected against corrosion and finished in golden yellow or anodised aluminium.

The optical system shall comprise of maximum 3 lamps (2 lamps for threshold, 1 lamp for runway end) rated at 105W 6.6A max. Glass prisms shall be accurately located in the main casting, without the need for additional adhesives or sealants, to direct the light beams such that no re-focusing is required on installation, maintenance or in service. Dichroic coatings shall provide green or red light.

Lamp replacement shall be easily effected from the bottom of the fitting. The objective lamp life at maximum intensity shall not be less than 1500 hours on a constant current series circuit at full intensity.

The light fitting shall have an upper surface forming a smooth sloped face projecting not more than 12.7mm above the pavement surface. The fitting shall resist all stresses imposed by impact, rollover and static loads of present day aircraft without damage to the fitting or to aircraft and vehicle tyres.

It shall be fitted with a pressure relief plug to allow pressure testing.

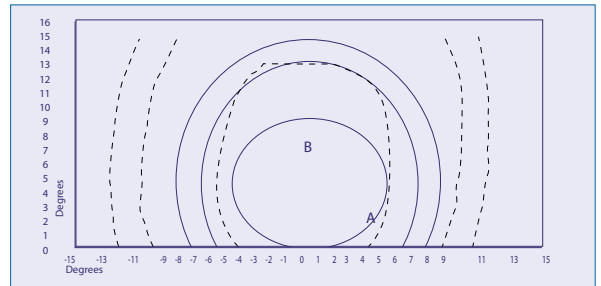
The fitting shall be suitable for installation in the pavement surface in a 12" cast aluminium shallow (150mm max) seating pot, type ZM480 or in 12" FAA L868 deep canisters.

Photometrics

Runway Centreline:

White	ZA484
Main Ellipse Intensity Measurements (Candelas)	
Average	6953
Min. Average	5000
Max (B)	10014
Min (A)	3434

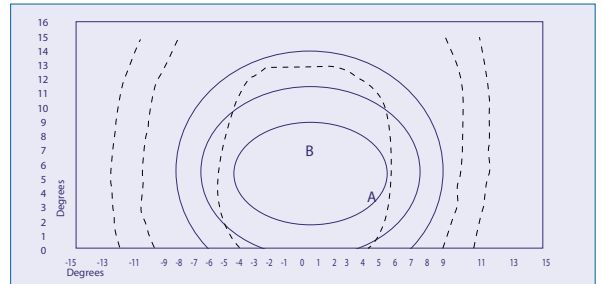
Nominal Lamp Details	
Power	48.0 Watts
Current	6.6 Amps
Type	Cold Reflector Lamp
ICAO	CAP168
Annex 14	FIG 6A/7
	FIG 2.7



Touch Down Zone:

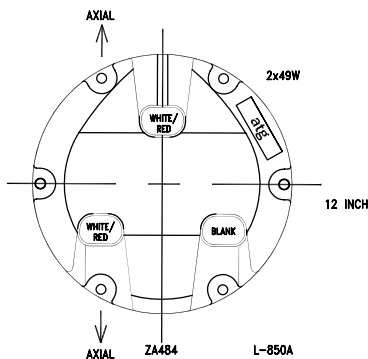
White	ZA484
Main Ellipse Intensity Measurements (Candelas)	
Average	7513
Min. Average	5000
Max (B)	10014
Min (A)	4090

Nominal Lamp Details	
Power	48.0 Watts
Current	6.6 Amps
Type	Cold Reflector Lamp
ICAO	CAP168
Annex 14	FIG 6A/5
	FIG 2.5

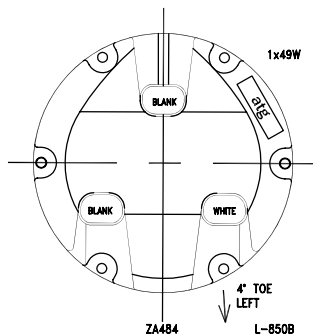


Orientation

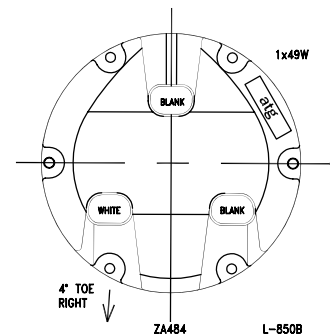
ZA 484 Runway Centreline:



TDZ (Left)

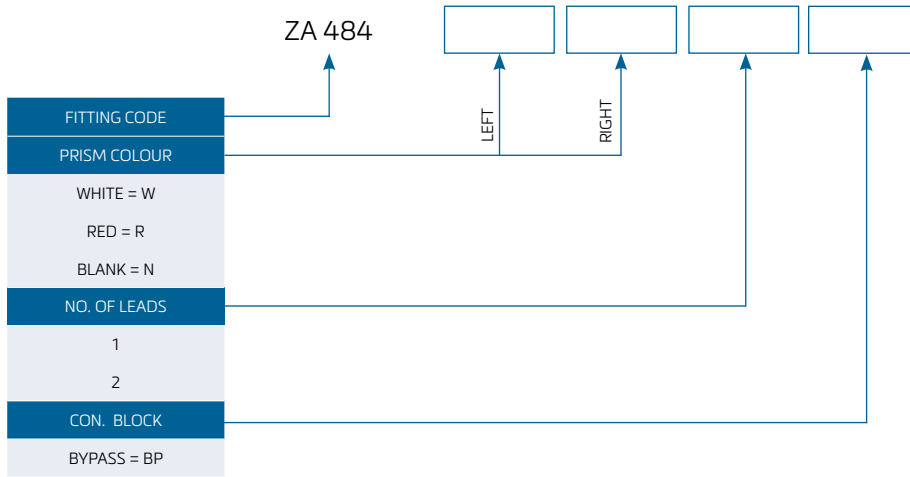


TDZ (Right)



Ordering code

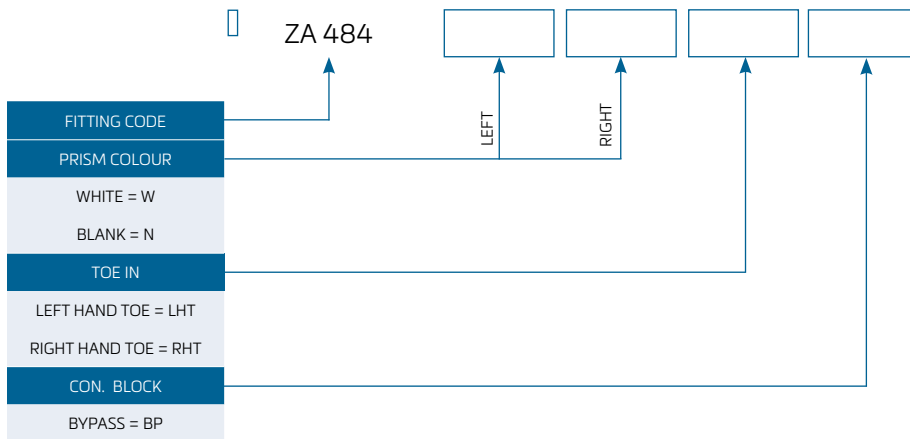
Inset FAA Runway Centreline Fitting



EXAMPLE: ZA 484 N W 2 BP

= BI DIRECTIONAL BODY + BLANK PRISM + WHITE PRISM + 2 LEADS + BYPASS

Inset FAA Runway TDZ Fitting and Medium Intensity Approach Fitting



EXAMPLE: ZA 484 W N LHT BP

= BI DIRECTIONAL + WHITE PRISM + BLANK PRISM + LEFT HAND TOE IN + BYPASS



atg airports ltd
 Lowton Business Park | Newton Road
 Lowton St. Mary's | Warrington
 WA3 2AP | United Kingdom

atg airports inc
 7857 Drew Circle #11
 Fort Myers | Florida 33967
 USA



UK: +44 (0) 1942 68 5555 | USA: 001 (239) 985-9406

www.atgairports.com | products@atgairports.com | sales-usa@atgairports.com

ZA484