

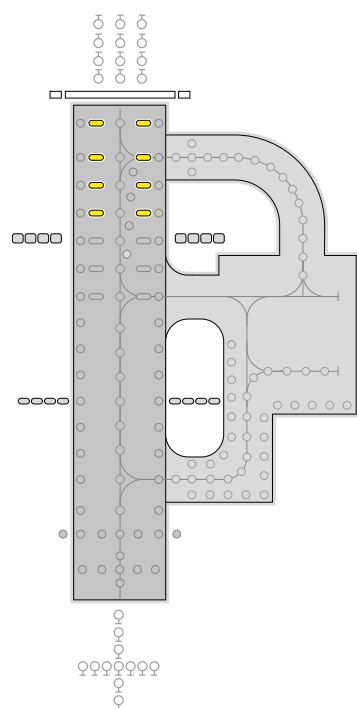
Tungsten halogen technology



ZA481

Approach Siderow Barrette

High intensity unidirectional inset fitting



Features

- ▶ Lightweight and robust due to its aluminium alloy construction
- ▶ Components that are common with ZA181 and ZA280 series
- ▶ Long life halogen lamps with a life of 1500 hours at full intensity or over 3500 hours in normal usage
- ▶ Standard adaptor rings to suit 15", 15.5" bases
- ▶ Prism removal and replacement achieved without the need for adhesive or sealants
- ▶ Colour beam variations achieved by dichroic coating
- ▶ Lamp bypass options available when required
- ▶ Pre-focused optics to simplify maintenance procedures
- ▶ Light channel within 5mm of grade
- ▶ Plug for pressure testing
- ▶ Low temperature - temperature at centre of top cover remains below 160°C ICAO and FAA limit
- ▶ All fasteners are stainless steel
- ▶ IMM available on request

Compliance with standards

ICAO	Annex 14
FAA	L-850A,B,C, D, E Class I & IIB, AC150/5345-46C
NATO	STANAG 3316
CAA	CAP168 Figs 6A/1,6A/2, 6A/3, 6A/4, 6A/5 6A/6, 6A/7, 6A/8, 6A/9, 6A/10

Application

High intensity, inset siderow barrette fitting suitable for use in category I, II and III all weather operation airfield lighting systems.

Options

- ▶ ZM480 seating pot (wet)
- ▶ ZM480 seating pot (dry)
- ▶ PSA & FAA adaptors
- ▶ ZS023 sighting device
- ▶ ZM500/4 lifting handle
- ▶ ZM480 installation jig

Electrical supply

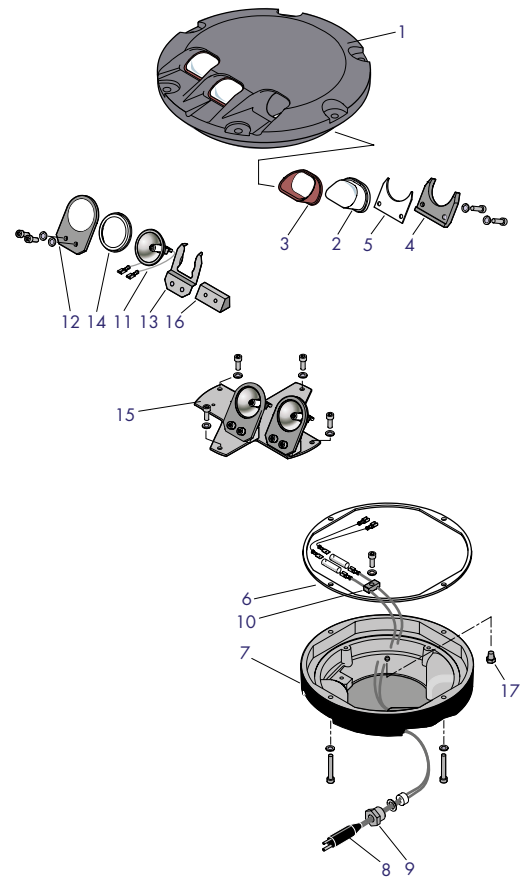
Suitable for use in 6.6A airfield lighting circuits normally supplied from 100W, 200W or 300W isolating transformers.

Packaging data

Net weight	9.3kg
Gross weight	10kg
Carton size	50mm(w) x 330mm(d) x 330mm(h)

Components

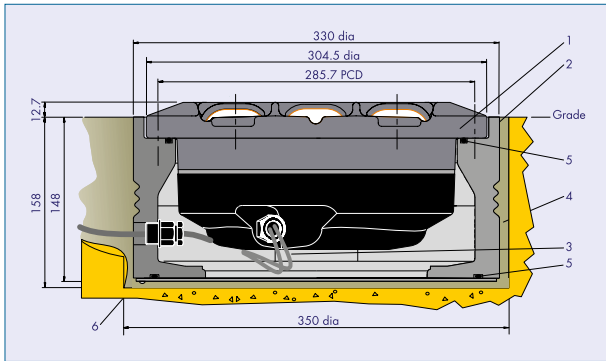
1 Body casting uni-directional (golden yellow)	Not Saleable
2 Clear prism or blank for prism aperture	SLC16069 SLC40092
3 Prism gasket	SLC33075
4 Prism clamp	SLC32037
5 Prism clamp gasket	SLC33069
6 Bottom cover gasket	SLC33076
7 Bottom cover casting (single lead) or bottom cover casting (twin lead) or bottom cover casting (three lead)	Not Saleable Not Saleable SLC40114
8 'B' type plug lead	SLC13026
9 Cable gland assembly	SLC21282/3/4
10 Cable clamp	SLC21281
11 Reflector lamp 105W	SLC08075
12 Lampholder	SLC32040
13 Lamp retaining spring	SLC32039
14 Lamp gasket	SLC33077
15 Mounting plates: Approach, Siderow and Wingbar	SLC21278
16 Lampholder support block	SLC21285
17 Pressure test plug	SLC21256



Typical installation methods

- In a 12" dia seating pot, atg airports ltd type ZM480

ZA481 Installed in ZM480 Seating Pot (dry version)

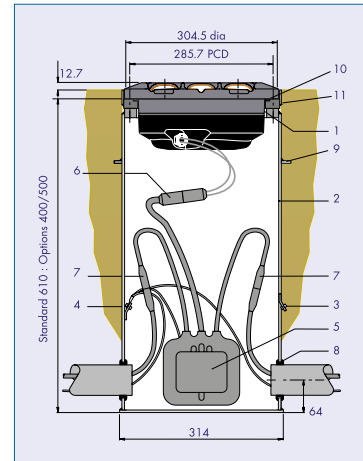


- | | |
|-------------------------|----------------|
| 1. ZA481 Fitting | 4. Grout |
| 2. ZM480 Seating Pot | 5. 'O' Ring |
| 3. Secondary Connection | 6. Cable Gland |

Note ZM480 Wet seating pot arrangement information available on request.

- In a 12" FAA L-868 Base

ZA481 Installed on FAA L-868 Base



- | | |
|------------------------------------|-----------------------|
| 1. ZA481 Fitting | 7. Primary connection |
| 2. FAA L-868 Base (one piece) | 8. Grommet |
| 3. Outer earth terminal (optional) | 9. Anchor ring |
| 4. Inner earth terminal (optional) | 10. 'O' Ring |
| 5. Isolating transformer | 11. Dam ring |
| 6. Secondary connection | |

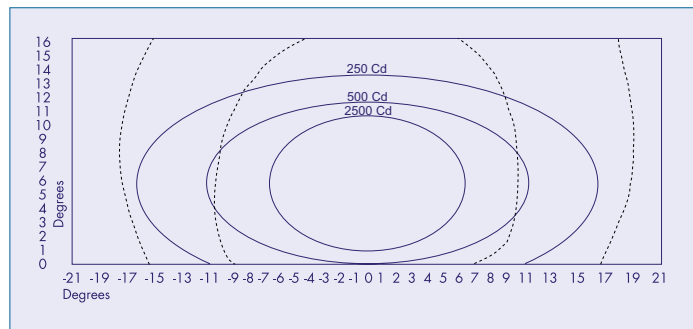
Photometric performance

Approach Siderow Inset Fitting:

Red	ZA481
Main Ellipse Intensity Measurements (Candelas)	
Average	6028
Min. Average	5000
Max (B)	7275
Min (A)	4141

Nominal Lamp Details

Power	3 x 105 Watts
Current	6.6 Amps
Type	Cold Reflector Lamp
ICAO	CAP168
Annex 14	FIG 6A/2
FIG 2.2	



atg airports ltd
 Lowton Business Park | Newton Road
 Lowton St. Mary's | Warrington
 WA3 2AP | United Kingdom

atg airports inc
 7857 Drew Circle #11
 Fort Myers | Florida 33967
 USA



UK: +44 (0) 1942 68 5555 | USA: 001 (239) 985-9406

www.atgairports.com | products@atgairports.com | sales-usa@atgairports.com

ZA481