

LED technology



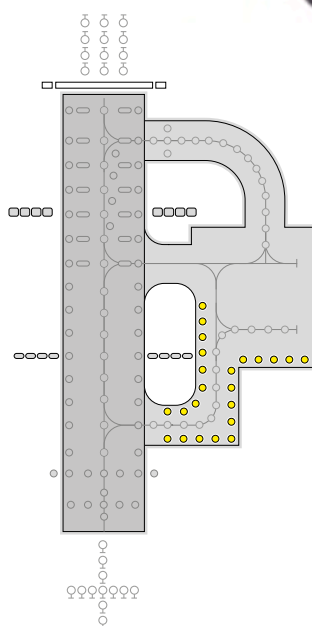
# ZA216L

Taxiway/Apron/Helipad  
Edge Utilising Light  
Emitting Diodes (LED's)

Omni-directional elevated light

## Features

- ▶ Lightweight and robust due to its predominantly aluminium alloy construction which also gives good corrosion resistance
- ▶ Frangibility inherent in the M32 threaded mounting stem
- ▶ Smooth outer glass surface resists build up of dirt
- ▶ A power convertor is supplied in the secondary cable between the isolating transformer and fitting
- ▶ Ultra low power: Fitting uses 2 watts of power
- ▶ Available for use in atg Passive LED Lighting System (removes the need for electronic driver)
- ▶ Nominal life 80,000 hours
- ▶ Mounting stem compatible with 2" BSP and NPT mounting devices
- ▶ Powder coat paint finish in golden yellow
- ▶ IMM available on request



## Compliance with Standards

As a taxiway edge light:

ICAO Annex 14, clause 5.3.17

FAA FAA L-86IT

CAA CAP168 Table 6A/1 item 8

BSI BS3224 Part 4, elevated fittings

NATO STANAG 3316

## Application

Taxiway/apron/helipad edge light or low intensity light.

## Options

- ▶ Blue glass dome for daylight marking on taxiways

UK: +44 (0) 1942 68 5555 | USA: 001 (239) 985-9406

www.atgairports.com | products@atgairports.com | sales-usa@atgairports.com

ZA216L

## Electrical supply

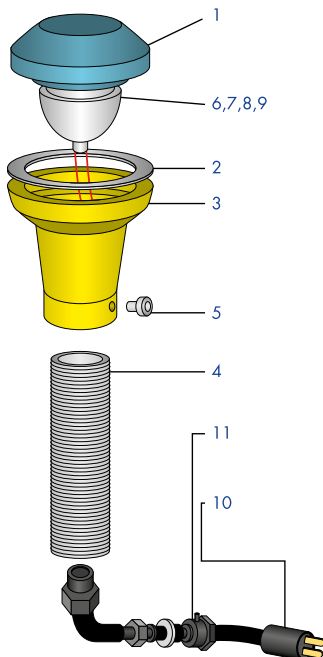
Suitable for use in 6.6A airfield lighting circuits normally supplied from 1 x 45W isolating transformer.

Suitable for use in a dedicated passive circuit using 10W 6.6A/0.4A isolating transformers.

Contact [atg](#) for more details.

## Components

- |                |               |
|----------------|---------------|
| 1 Refractor    | SLC019206     |
| Blue           | SLC016092     |
| Clear          | SLC033056     |
| 2 Gasket       | SLC040211     |
| 3 Main Body    | SLC021150     |
| 4 Stem         | Not available |
| 5 Locking Bolt | SLC08118      |
| 6 LED Blue     | SLC08121      |
| 7 LED Red      | SLC08123      |
| 8 LED Yellow   | SLC08124      |
| 9 LED Green    | SLC08125      |
| 9A LED White   | SLC013001     |
| 10 Plug Lead   | SLC021330     |
| 11 Elkay gland |               |

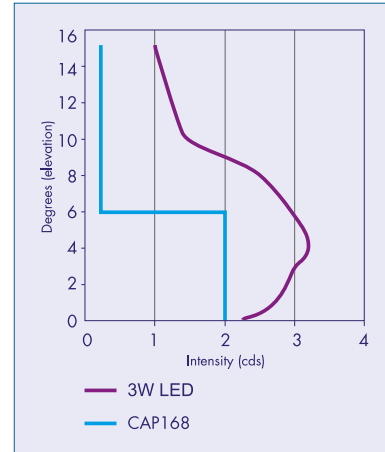


## Typical installation methods

For installation methods refer to ZA216 product brochure.

## Photometric performance

ZA216 LED Taxiway Edge Fixture	LED Source	Luxeon 1 Watt LED
Specification	FAA L-861T	
Power	3 Watt	
Current	6.6 Amps	



atg airports ltd  
 Lowton Business Park | Newton Road  
 Lowton St. Mary's | Warrington  
 WA3 2AP | United Kingdom

atg airports inc  
 7857 Drew Circle #11  
 Fort Myers | Florida 33967  
 USA

UK: +44 (0) 1942 68 5555 | USA: 001 (239) 985-9406

www.atgairports.com | products@atgairports.com | sales-usa@atgairports.com

ZA216L