



Heliport & Helipad Lighting

TLOF

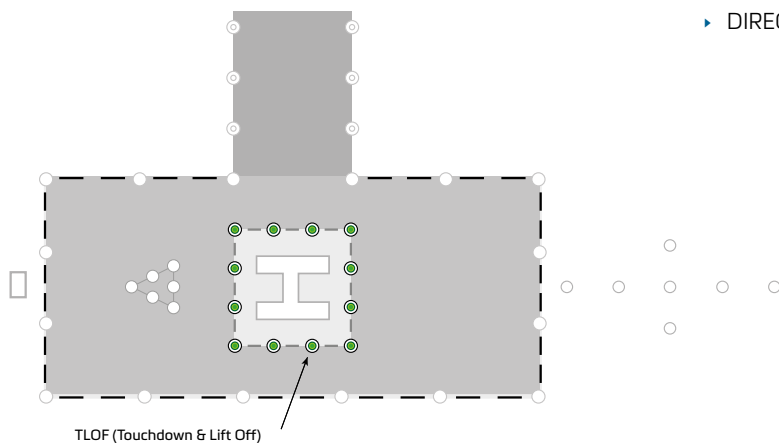
Touchdown & Lift-Off

Application

- ▶ A TLOF lighting system shall be provided at a heliport intended for use at night.
- ▶ The TLOF lighting system for a surface-level heliport shall consist of one or more of the following:
 - a) perimeter lights; or
 - b) floodlighting; or
 - c) arrays of segmented point source lighting (ASPSL) or luminescent panel (LP) lighting to identify the TLOF when a) and b) are not practicable and FATO lights are available.
- ▶ The TLOF lighting system for an elevated heliport or helideck shall consist of
 - a) perimeter lights; and
 - b) ASPSL and/or LPs to identify the touchdown marking where it is provided and/or floodlighting to illuminate the TLOF.

Compliant with latest International standards

- ▶ ICAO Aerodromes, Annex 14 Aerodrome Design and Operations
- ▶ DIRECTIVE 2002/95/EC:2003 Restriction of the use of certain hazardous substances in electrical and electronic equipment (RoHS)



Heliport Series | Touchdown & Lift-Off



Technical Data	
Body material	Powder coated aluminium
Body colour	Yellow aviation (RAL 1004)
Total power	5W
Power supply	110v-240v AC
Horizontal dispersion	360 degrees
Disperser	Transparent polycarbonate
LEDs power	2,5W

Light source characteristics

- ▶ Light intensity > 30 cd (10%, 30% and 100%)
- ▶ High power OSRAM LEDs
- ▶ Specially designed lenses
- ▶ Period of use of LEDs is minimum 50000 hours
- ▶ Light color: Green - according to CIE Chromaticity Boundary

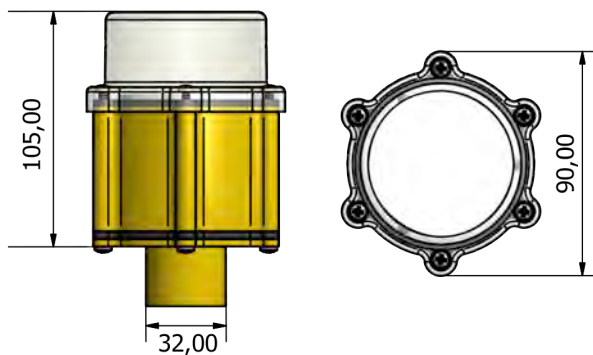
Technical characteristics

- ▶ The casing is made out of aluminum painted in electrostatic field
- ▶ The disperser is made of transparent polycarbonate, UV protected
- ▶ The degree of protection IP66
- ▶ The fitting is bolted on any flat surface with a frangible coupling
- ▶ Nominal operating temperature from -40 to +50 °C

Electrical characteristics

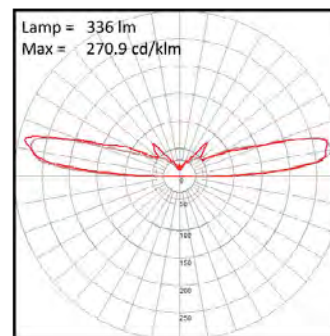
- ▶ Standard power supply from DCR
- ▶ Power cable length 2 m
- ▶ Electrical insulation resistance is I

Dimensions



Photometrics

Horizontal Beam



atg airports ltd
 Lowton Business Park | Newton Road
 Lowton St. Mary's | Warrington
 WA3 2AP | United Kingdom

atg airports inc
 7857 Drew Circle #11
 Fort Myers | Florida 33967
 USA



UK: +44 (0) 1942 68 5555 | USA: 001 (239) 985-9406

www.atgairports.com | products@atgairports.com | sales-usa@atgairports.com

Heliport Lighting
TLOF