

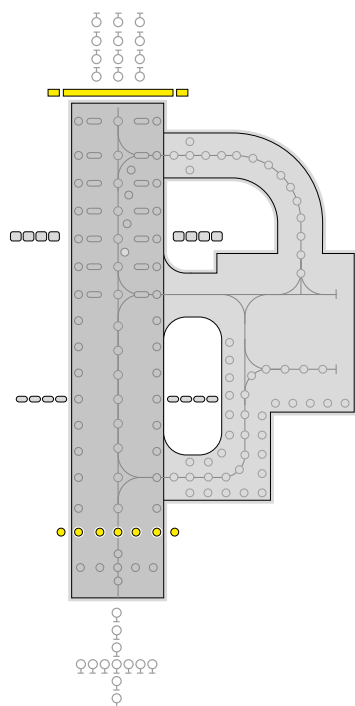
Tungsten halogen technology



ZA488

Threshold/Runway end

High intensity unidirectional
inset fitting



Features

- ▶ Lightweight and robust due to its aluminium alloy construction
- ▶ Components that are common with ZA181 and ZA280 series
- ▶ Long life halogen lamps with a life of 1500 hours at full intensity or over 3500 hours in normal usage
- ▶ Standard adaptor rings to suit 15", 15.5" bases
Prism removal and replacement achieved without the need for adhesive or sealants
- ▶ Colour beam variations achieved by dichroic coating
- ▶ Lamp bypass options available when required
- ▶ Pre-focused optics to simplify maintenance procedures
- ▶ Light channel within 5mm of grade
- ▶ Plug for pressure testing
- ▶ Low temperature - temperature at centre of top cover remains below 160°C ICAO and FAA limit
- ▶ All fasteners are stainless steel
- ▶ IMM available on request

Compliance with standards

ICAO	Annex 14
FAA	L-850A,B,C, D, E Class I & IIB, AC150/5345-46C
NATO	STANAG 3316
CAA	CAP168 Figs 6A/1,6A/2, 6A/3, 6A/4, 6A/5 6A/6, 6A/7, 6A/8, 6A/9, 6A/10

Application

High intensity, inset combined threshold/end fitting suitable for use in category I, II and III all weather operation airfield lighting systems.

Options

- ▶ ZM480 seating pot (wet)
- ▶ ZM480 seating pot (dry)
- ▶ PSA & FAA adaptors
- ▶ ZS023 sighting device
- ▶ ZM500/4 lifting handle
- ▶ ZM480 installation jig

Electrical supply

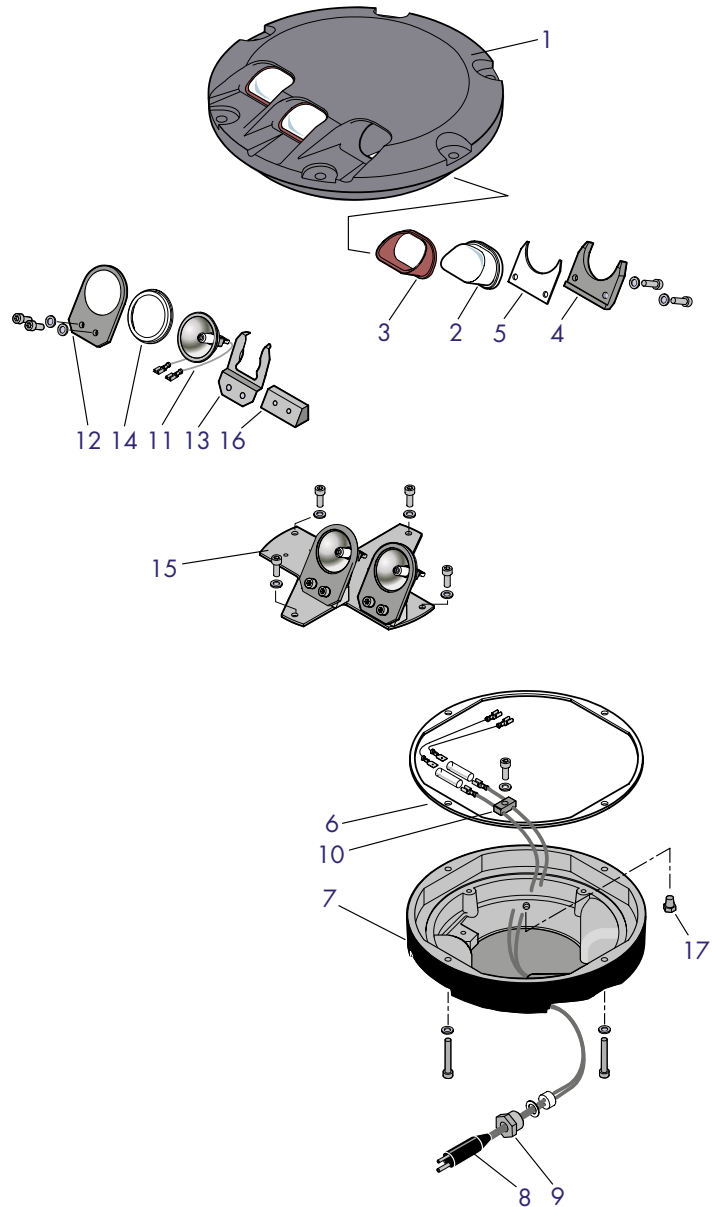
Suitable for use in 6.6A airfield lighting circuits normally supplied from 100W, 200W or 300W isolating transformers.

Packaging data

Net weight	9.3kg
Gross weight	10kg
Carton size	50mm(w) x 330mm(d) x 330mm(h)

Components

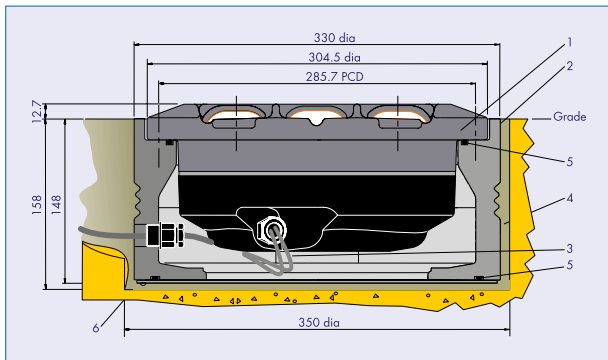
- 1 Body casting
- 2 Prism
- 3 Prism gasket
- 4 Prism clamp
- 5 Prism clamp gasket
- 6 Bottom cover gasket
- 7 Bottom cover casting
- 8 'B' type plug lead
- 9 Cable gland assembly
- 10 Cable clamp
- 11 Reflector lamp
- 12 Lampholder
- 13 Lamp retaining spring
- 14 Lamp gasket
- 15 Mounting plates:
- 16 Lampholder support block
- 17 Pressure test plug



Typical installation methods

- In a 12" dia seating pot, atg airports ltd type ZM480

ZA488 Installed in ZM480 Seating Pot (dry version)

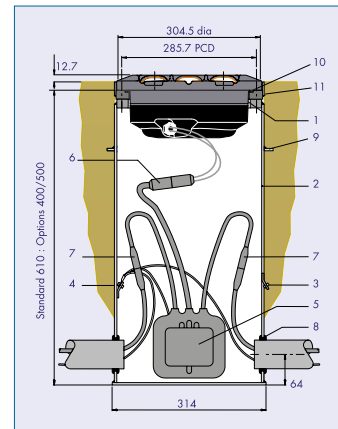


- | | |
|-------------------------|----------------|
| 1. ZA488 Fitting | 4. Grout |
| 2. ZM480 Seating Pot | 5. 'O' Ring |
| 3. Secondary Connection | 6. Cable Gland |

Note ZM480 Wet seating pot arrangement information available on request.

- In a 12" FAA L-868 Base

ZA488 Installed on FAA L-868 Base



- | | |
|------------------------------------|-----------------------|
| 1. ZA488 Fitting | 7. Primary connection |
| 2. FAA L-868 Base (one piece) | 8. Grommet |
| 3. Outer earth terminal (optional) | 9. Anchor ring |
| 4. Inner earth terminal (optional) | 10. 'O' Ring |
| 5. Isolating transformer | 11. Dam ring |
| 6. Secondary connection | |



atg airports ltd
 Lowton Business Park | Newton Road
 Lowton St. Mary's | Warrington
 WA3 2AP | United Kingdom

atg airports inc
 7857 Drew Circle #11
 Fort Myers | Florida 33967
 USA



📞 UK: +44 (0) 1942 68 5555 | USA: 001 (239) 985-9406

🌐 www.atgairports.com ✉ products@atgairports.com ✉ sales-usa@atgairports.com

ZA488