

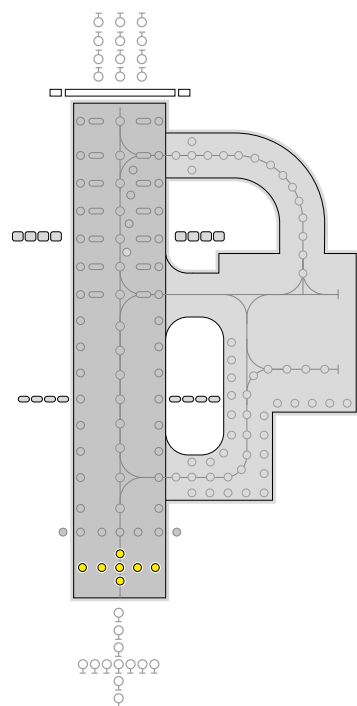
Tungsten halogen technology



# ZA480

Approach centreline  
& crossbar

High intensity unidirectional  
inset fitting



## Features

- ▶ Lightweight and robust due to its aluminium alloy construction
- ▶ Components that are common with ZA181 and ZA280 series
- ▶ Long life halogen lamps with a typical life of 1500 hours at full intensity or over 3500 hours in normal usage
- ▶ Standard adaptor rings to suit 15", 15.5" bases
- ▶ Prism removal and replacement achieved without the need for adhesive or sealants
- ▶ Colour beam variations achieved by dichroic coating
- ▶ Lamp bypass options available when required
- ▶ Pre-focused optics to simplify maintenance procedures
- ▶ Light channel within 5mm of grade
- ▶ Plug for pressure testing
- ▶ Low temperature - temperature at centre of top cover remains below 160°C ICAO and FAA limit
- ▶ All fasteners are stainless steel
- ▶ IMM available on request

## Compliance with standards

ICAO	Annex 14
FAA	AC150/5345-46D, L-850A,B,C, D, E Class I & IIB
NATO	STANAG 3316
CAA	CAP168
Transport Canada	MOS139

## Application

Uni-directional inset fitting suitable for use in category I, II and III all weather operation airfield lighting systems as:

- ▶ Approach Centreline
- ▶ Crossbar

## Options

- ▶ ZM480 seating pot (wet)
- ▶ ZM480 seating pot (dry)
- ▶ PSA & FAA adaptors
- ▶ ZS023 sighting device
- ▶ ZM500/4 lifting handle
- ▶ ZM480 installation jig
- ▶ 6mm protrusion also available

UK: +44 (0) 1942 68 5555 | USA: 001 (239) 985-9406

www.atgairports.com | products@atgairports.com | sales-usa@atgairports.com

ZA480

## Electrical supply

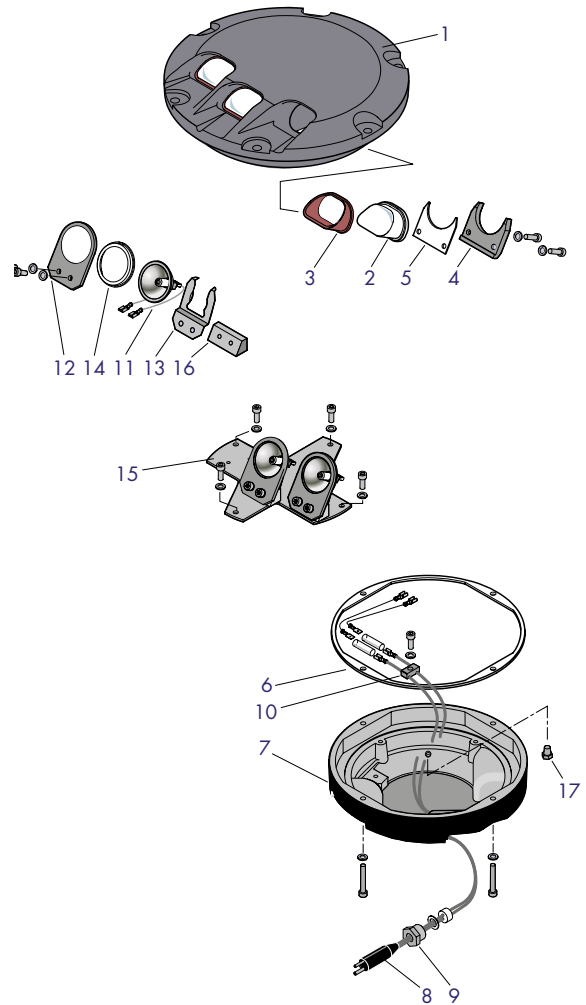
Suitable for use in 6.6A airfield lighting circuits normally supplied from 100W, 200W or 300W isolating transformers.

## Packaging data

Net weight	9.3kg
Gross weight	10kg
Carton size	50mm(w) x 330mm(d) x 330mm(h)

## Components

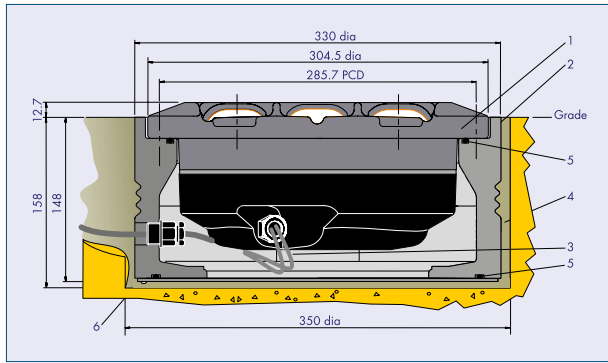
1 Body casting uni-directional (golden yellow)	Not Saleable
2 Clear prism or blank for prism aperture	SLC16069 SLC40092
3 Prism gasket	SLC33075
4 Prism clamp	SLC32037
5 Prism clamp gasket	SLC33069
6 Bottom cover gasket	SLC33076
7 Bottom cover casting (single lead) or bottom cover casting (twin lead) or bottom cover casting (three lead)	Not Saleable Not Saleable SLC40114
8 'B' type plug lead	SLC13026
9 Cable gland assembly	SLC21282/3/4
10 Cable clamp	SLC21281
11 Reflector lamp 105W	SLC08075
12 Lampholder	SLC32040
13 Lamp retaining spring	SLC32039
14 Lamp gasket	SLC33077
15 Mounting plates: Approach, Siderow and Wingbar	SLC21278
16 Lampholder support block	SLC21285
17 Pressure test plug	SLC21256



## Typical installation methods

- In a 12" dia seating pot, atg airports ltd type ZM480

ZA480 Installed in ZM480 Seating Pot (dry version)

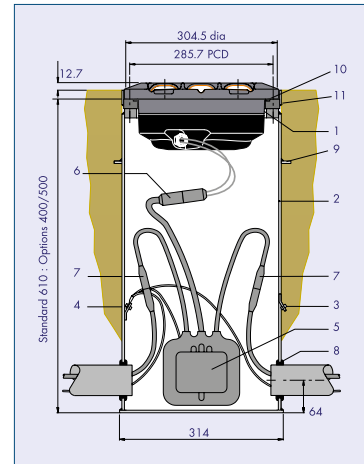


- ZA480 Fitting
- ZM480 Seating Pot
- Secondary Connection
- Grout
- 'O' Ring
- Cable Gland

**Note** ZM480 Wet seating pot arrangement information available on request.

- In a 12" FAA L-868 Base

ZA480 Installed on FAA L-868 Base



- ZA480 Fitting
- FAA L-868 Base (one piece)
- Outer earth terminal (optional)
- Inner earth terminal (optional)
- Isolating transformer
- Secondary connection
- Primary connection
- Grommet
- Anchor ring
- 'O' Ring
- Dam ring

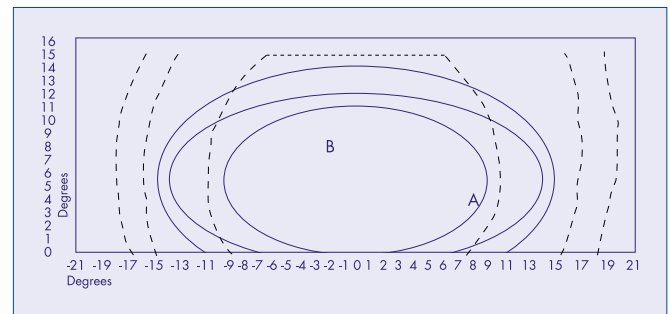
## Photometric performance

### Approach Inset Fitting: (Threshold to 315m)

White	ZA480
Main Ellipse Intensity Measurements (Candelas)	
Average	21316
Min. Average	20000
Max (B)	27978
Min (A)	13063

### Nominal Lamp Details

Power	3 x 105 Watts
Current	6.6 Amps
Type	Cold Reflector Lamp
ICAO	CAP168
Annex 14	FIG 6A/1
FIG 2.1	



**atg airports ltd**  
 Lowton Business Park | Newton Road  
 Lowton St. Mary's | Warrington  
 WA3 2AP | United Kingdom

**atg airports inc**  
 7857 Drew Circle #11  
 Fort Myers | Florida 33967  
 USA



UK: +44 (0) 1942 68 5555 | USA: 001 (239) 985-9406

www.atgairports.com | products@atgairports.com | sales-usa@atgairports.com

ZA480