



Heliport & Helipad Lighting

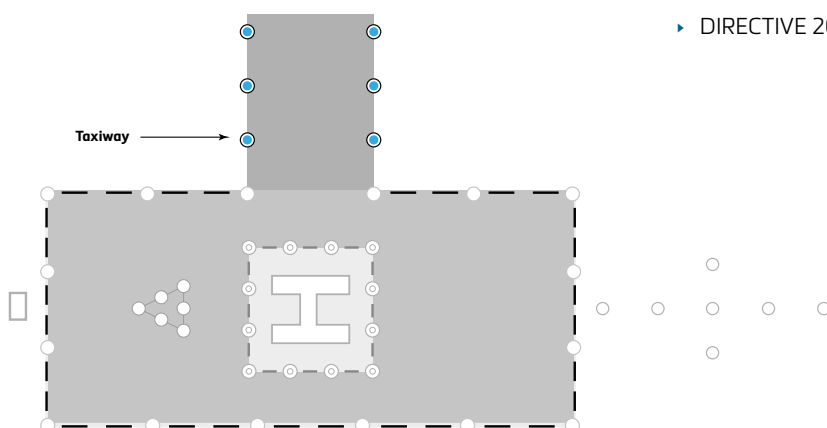
Taxiway Lighting

Application

- ▶ Taxiway edge lights shall be provided at the edges of a runway turn pad, holding bay, de-icing/anti-icing facility, apron, etc., intended for use at night and on a taxiway not provided with taxiway centre line lights and intended for use at night, except that taxiway edge lights need not be provided where, considering the nature of the operations, adequate guidance can be achieved by surface illumination or other means.
- ▶ Taxiway edge lights shall be provided on a runway forming part of a standard taxi-route and intended for taxiing at night where the runway is not provided with taxiway centre line lights.

Compliant with latest International standards

- ▶ ICAO Aerodromes, Annex 14 Aerodrome Design and Operations
- ▶ DIRECTIVE 2002/95/EC:2003 Restriction of the use of certain hazardous substances in electrical and electronic equipment (RoHS)



Heliport Series | Taxiway Lighting



Light source characteristics

- ▶ Light intensity > 2 cd (10%, 30% and 100%)
- ▶ High power OSRAM LEDs
- ▶ Specially designed lenses
- ▶ Period of use of LEDs is minimum 50000 hours
- ▶ Light color: Blue - according to CIE Chromaticity Boundary

Technical characteristics

- ▶ The casing is made out of aluminum painted in electrostatic field
- ▶ The disperser is made of transparent polycarbonate, UV protected
- ▶ The degree of protection IP66
- ▶ The fitting is bolted on any flat surface with a frangible coupling
- ▶ Nominal operating temperature from -40 to +50 °C

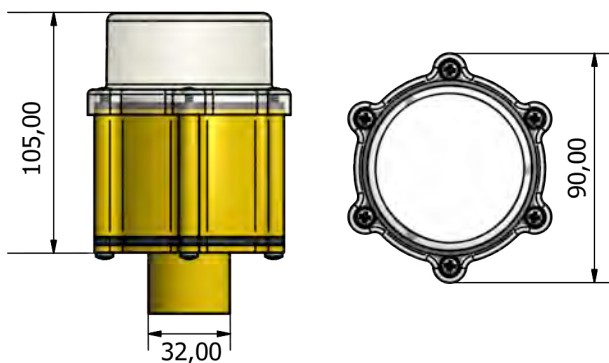
Electrical characteristics

- ▶ Standard power supply from DCR
- ▶ Power cable length 2 m
- ▶ Electrical insulation resistance is I

Technical Data

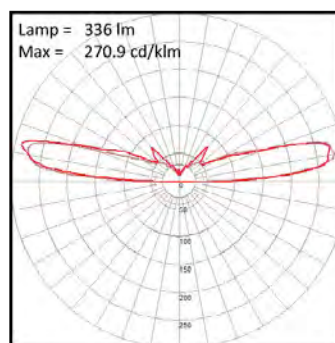
| | |
|-----------------------|----------------------------|
| Body material | Powder coated aluminium |
| Body colour | Yellow aviation (RAL 1004) |
| Total power | 5W |
| Power supply | 110v-240v AC |
| Horizontal dispersion | 360 degrees |
| Disperser | Transparent polycarbonate |
| LEDs power | 2,5W |

Dimensions



Photometrics

Horizontal Beam



atg airports ltd
Lowton Business Park | Newton Road
Lowton St. Mary's | Warrington
WA3 2AP | United Kingdom

atg airports inc
7857 Drew Circle #11
Fort Myers | Florida 33967
USA



UK: +44 (0) 1942 68 5555 | USA: 001 (239) 985-9406

www.atgairports.com | products@atgairports.com | sales-usa@atgairports.com

Heliport Lighting
Taxiway Lighting